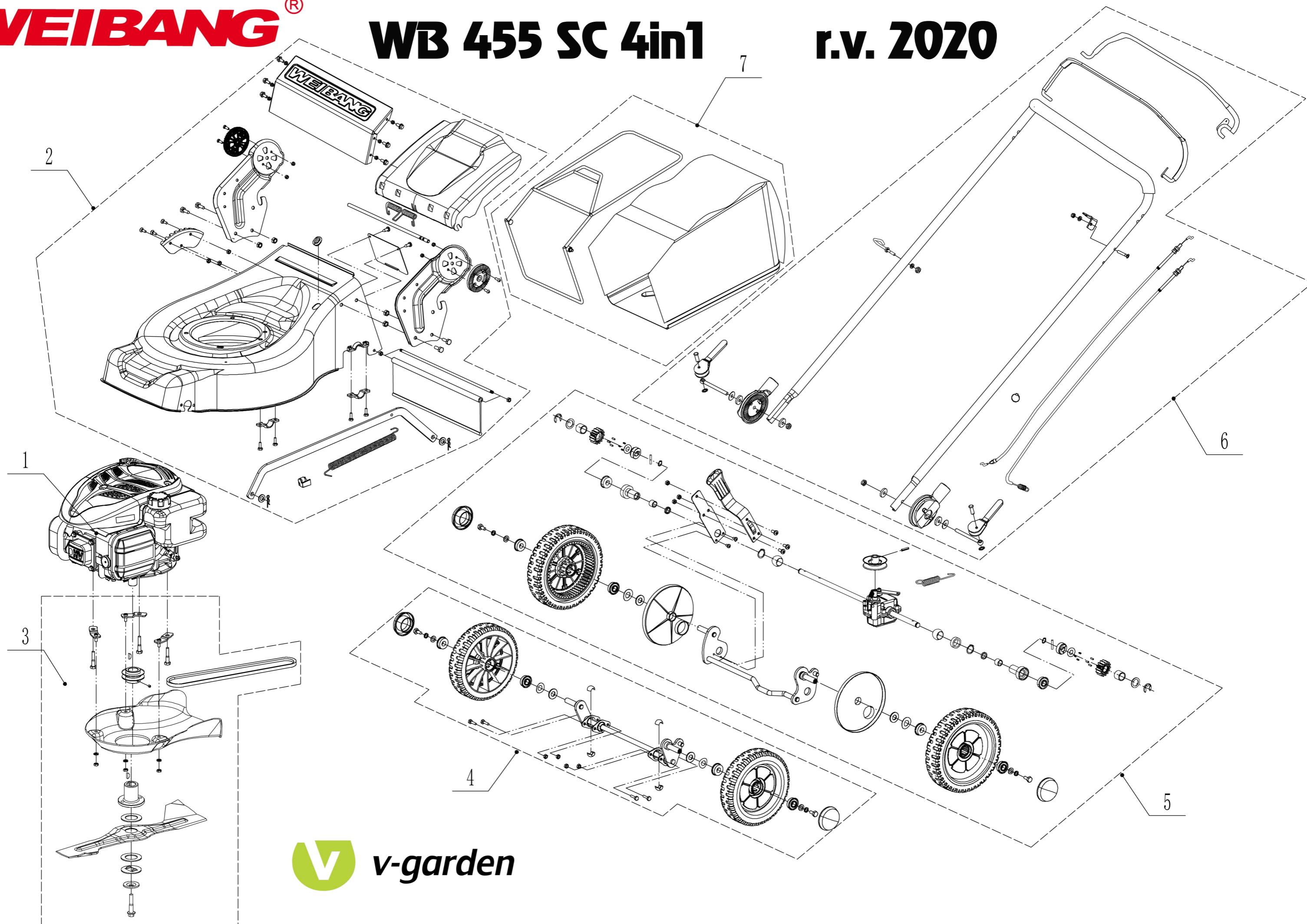


WEIBANG®

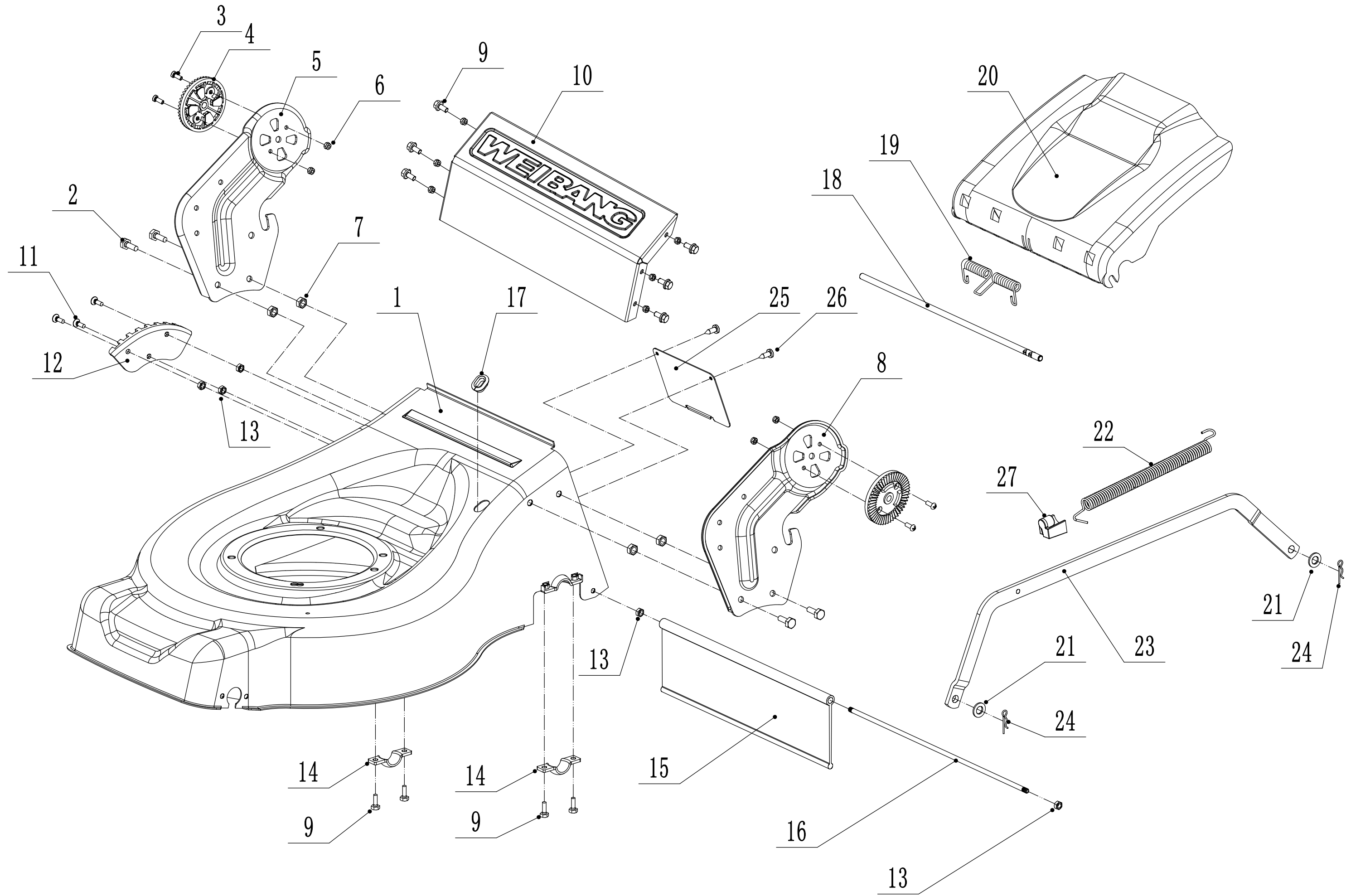
WB 455 SC 4in1

r.v. 2020



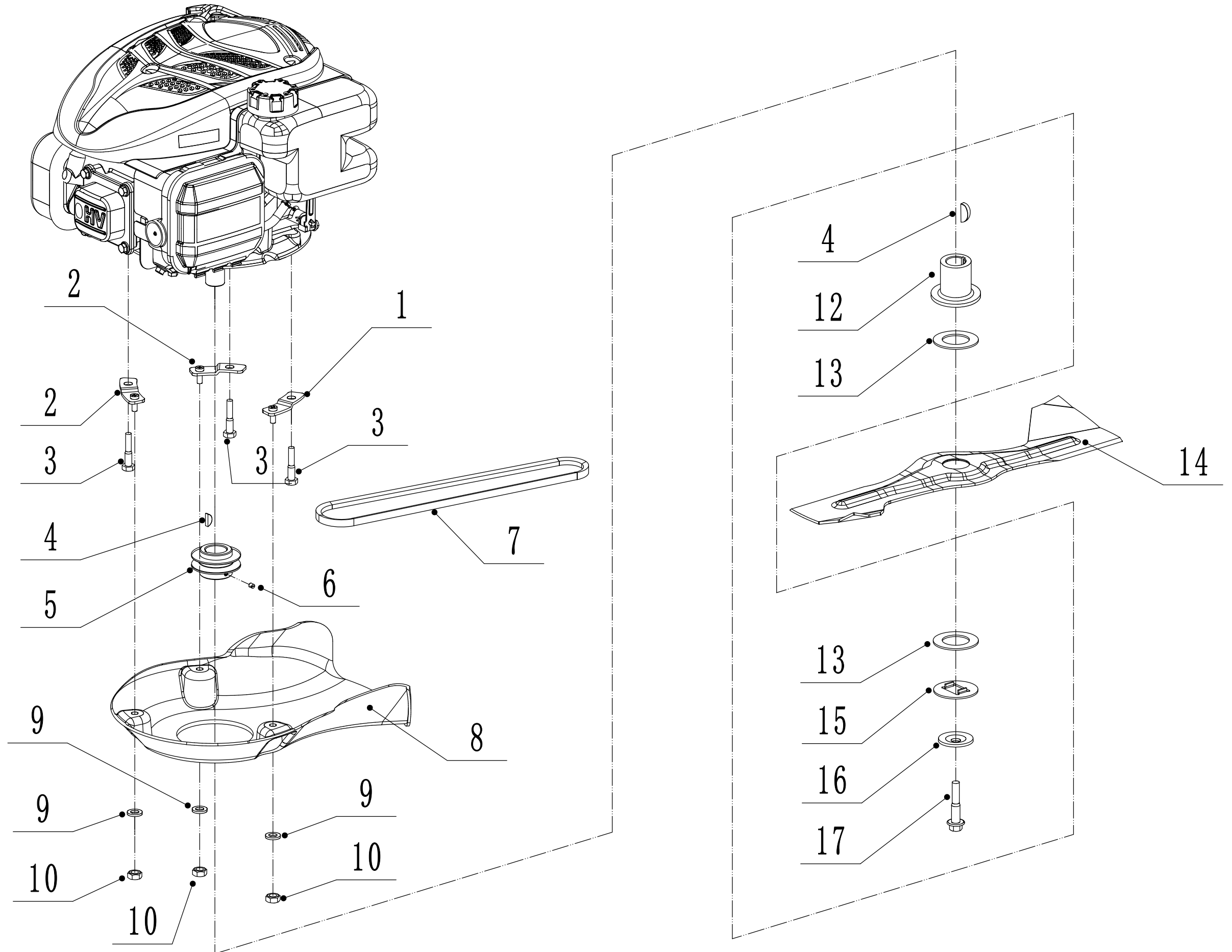
 **v-garden**

2 Main Body



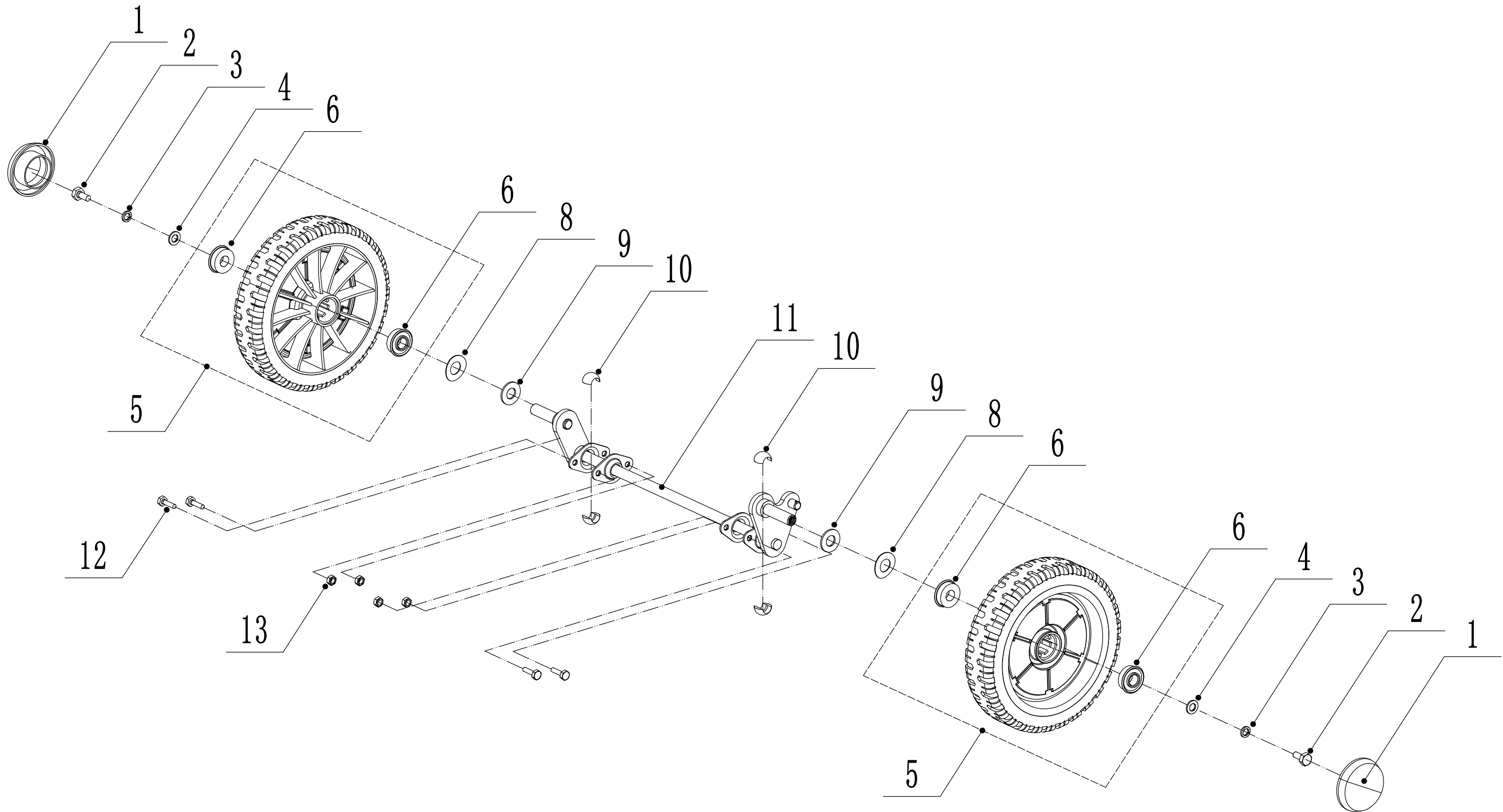
Part 2 - Main Body Spare parts		
No.	ID Zboží	Název
1	4560101002/49	Chassis
2	0102008016	Bolt - M8x16
3	0104005012	Screw - M5x12
4	AVSA000000040/22	Disc bracket
5	4560112010K/40	Bracket - R/H
6	0202005000	Lock Nut - M5
7	0202008000	Lock Nut - M8
8	4560111010K/40	Bracket - L/H
9	0102006012	Bolt - M6x12
10	4560111030/49	Connector
11	0104006016	Screw - M6x16
12	4560110010/01	Graduator
13	0202006000	Lock Nut - M6
14	5320114020/01	Upper Bearing Bracket
15	4320119010	Trailing Flap
16	4320118010/02	Pivot - Trailing flap
17	5360122010C	Rubber Ring
18	4560106010/02	Rod - Grass Bag Flap
19	5360118010	Spring - Rear Cover
20	4560105010	Rear Cover
21	0301010000	Plain Washer - M10
22	WB2100020102/01	Spring - Connecting Rod
23	4560109010/40	Connecting Rod
24	5320333010	Spring Clip
25	5360105010D/49	Baffle
26	0106004009	Screw - ST4.2x9.5
27	4560109012	Spring Bracket

3 Blade System



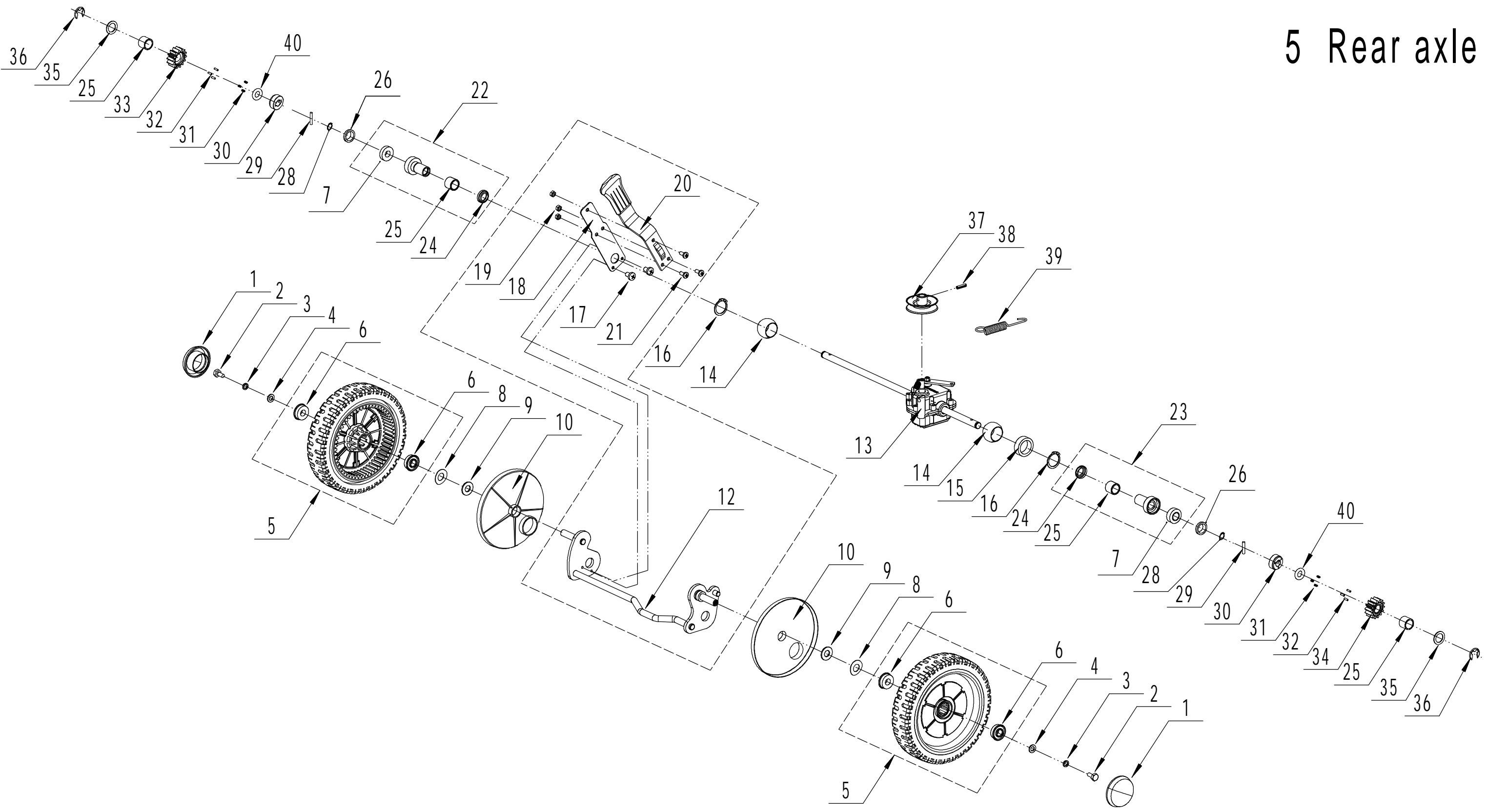
Part 3 - Blade System Spare parts		
No.	ID Zboží	Název
1	5360111010/02	Engine Washer 1
2	5360112010/02	Engine Washer 2
3	5320115010	ST Screw - 3/8x16x25
4	4510401010	Key
5	5020402070	Engine Pulley
6	0105006006	Screw - M6x6
7	5320120011	Belt - V10x783mm
8	4560102010	Belt Shield
9	0302006000	Plain Washer - M6
10	0202006000	Lock Nut - M6
12	5320404020/02	Adaptor
13	5310402010	Friction Disc
14	4510403010A/32	Big wing Blade
15	5310404010/02	Locking Disc
16	5310406010/04	Dish Washer
17	5320405011	Blade Bolt - 3/8x24x55

4 Front axle



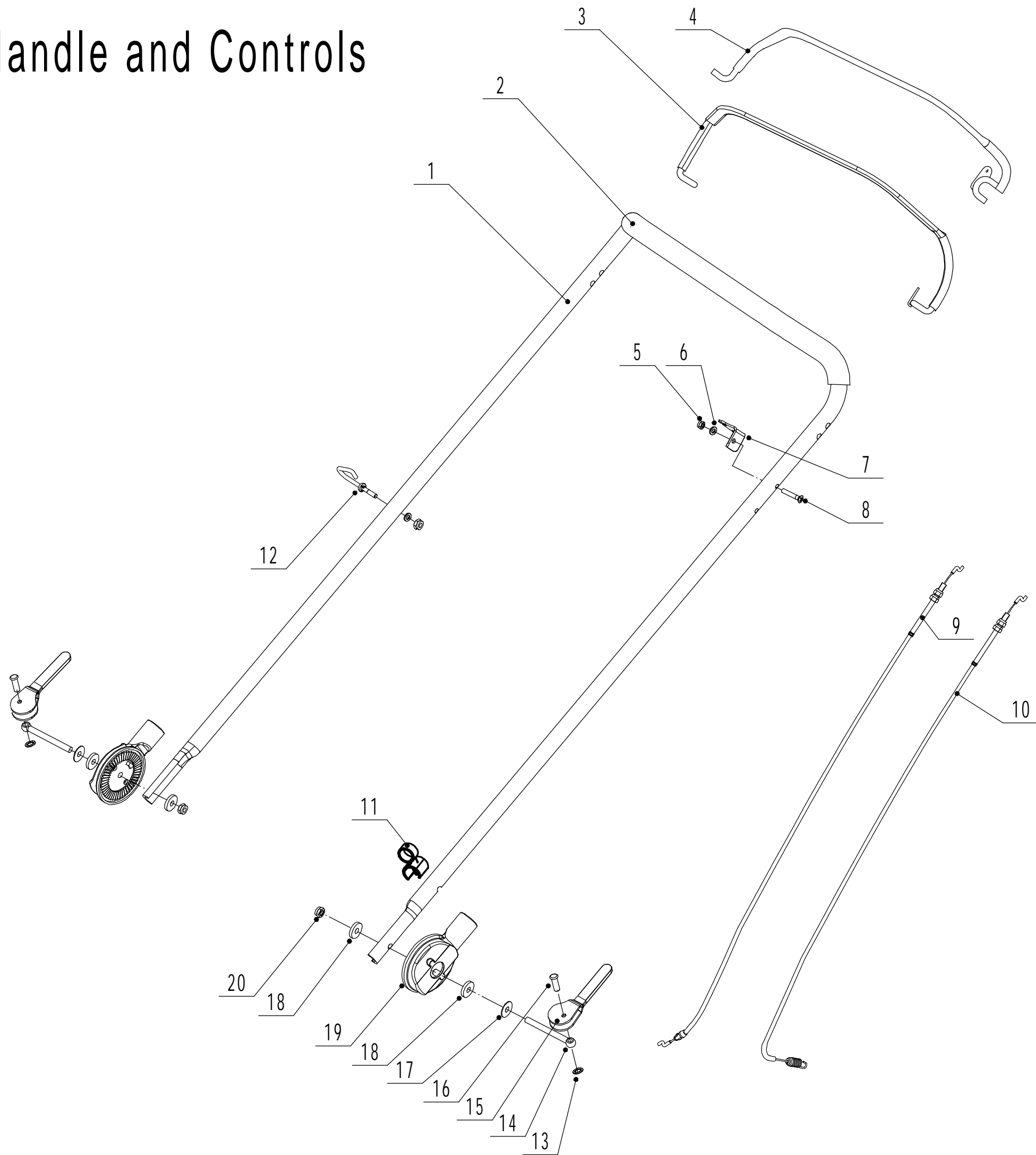
Part 4 - Front axle Spare parts		
No.	ID Zboží	Název
1	5310214010	Wheel Cap
2	0101008015	Bolt - M8x15
3	0401008000	Spring Washer - M8
4	0301008000	Washer - M8
5	4510210010/40	Wheel Assembly
6	5310213010	WEIBANG Bearing
8	5310211010/02	Spacer - M12.7
9	5310210010/02	Plain Washer - M12.7
10	5310209010	Spherical Bearing
11	4560201010/01	Front Axle
12	0102006012	Bolt - M6x12
13	0202006000	Lock Nut - M6

5 Rear axle



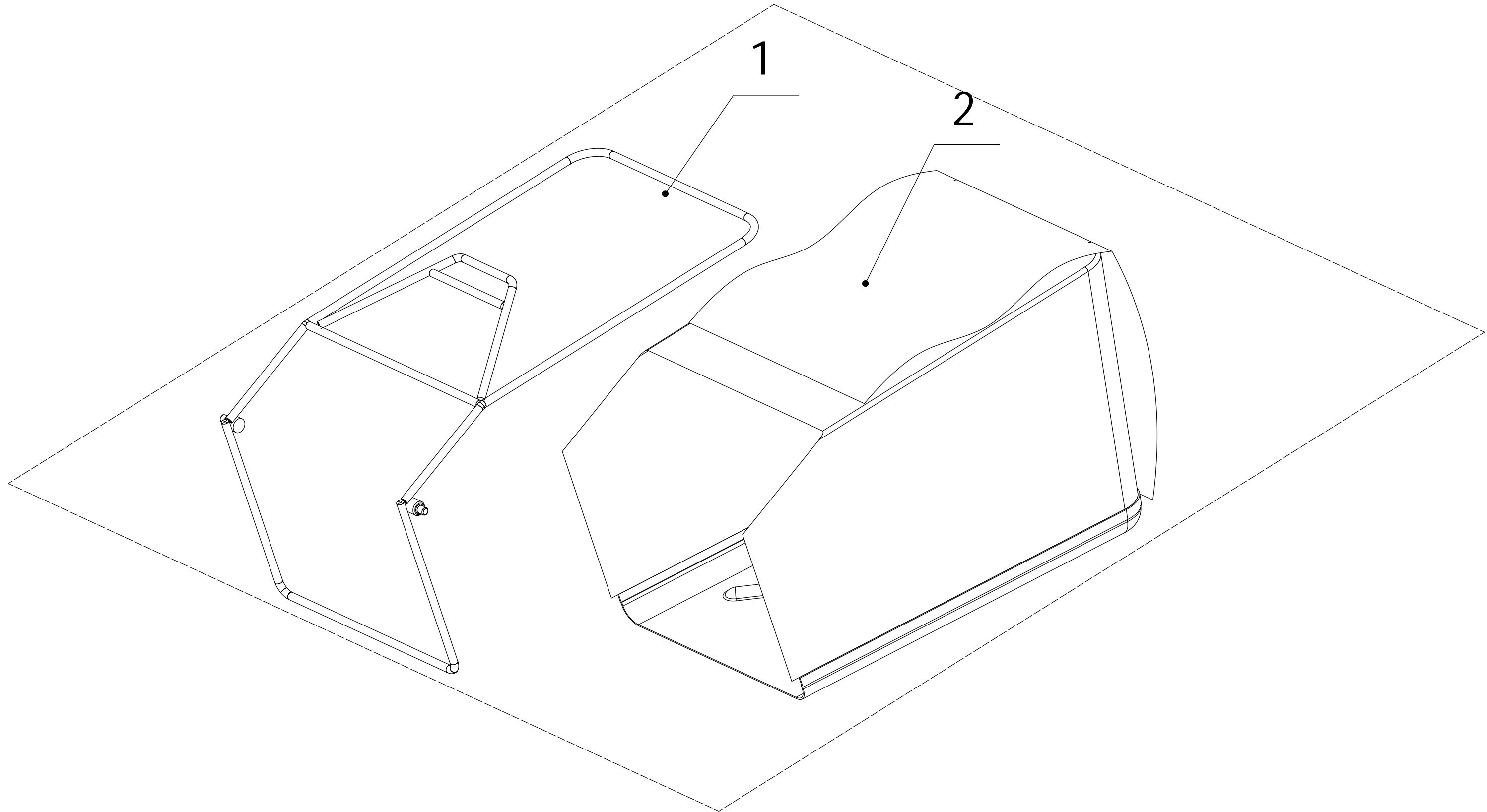
Part 5 - Rear axle Spare parts		
No.	ID Zboží	Název
1	5310214010	Wheel Cap
2	0101008015	Bolt - M8x15
3	0401008000	Spring Washer - M8
4	0301008000	Washer - M8
5	5340309010/40	Wheel Assembly
6	5310213010	WEIBANG Bearing
7	R8-2RS	Bearing
8	5310211010/02	Spring Washer - M12.7
9	5310210010/02	Plain Washer - M12.7
10	5340312010	Rear Wheel Shield
12	4560301010/01	Rear Axle
13	Y204560P	Rear Transmission Assembly
14	5320328010	Nylon Ball Bearing
15	5320329010/02	Rear Transmission Partition
16	1001020000	Circlip - M20
17	0113005008	Screw - M5x8
18	5360311010/22	Spring Of Adjustment Lever
19	0202006000	Lock Nut - M6
20	5360310010/40	Adjustment Lever
21	0101006014	Bolt - M6x14
22	Y065321	Right Bearing Sheath Assembly
23	Y065320	Left Bearing Sheath Assembly
24	5320327010	Dustproof Ring
25	5320326010P	Bearing
26	GM48S010000010	Spacer
28	1001012000	Circlip - M12
29	HQ000100060	Pin For Ratchet
30	HQ000100050	Ratchet
31	HQ000100040	Spring
32	HQ000100030	Pin
33	HQ000100020	Drive Pinion - R/H
34	HQ000100010	Drive Pinion - L/H
35	5020311010/04	Washer
36	1301009000	Clip
37	5020308020	Gearbox Pulley
38	0701005020	Pin - 5x20
39	4820317010	Spring Of Gearbox
40	1401025015	O - Ring

6 Handle and Controls



Part 6 - Handle and Controls Spare parts		
No.	ID Zboží	Název
1	4560115010/49	Handle
2	GM56E010000081	Handle Sheath
3	5020506030S/40	Clutch Lever
4	5020503020S/40	OPC Lever
5	0202006000	Lock Nut - M6
6	0301006000	Washer - M6
7	GM46B050000010/01	Bracket
8	0108006040	Screw - M6x40
9	BS120-1230	OPC Cable
10	LH194-1195	Clutch Cable
11	4560116010	Nylon circlip
12	4510511010	Hook - Starter Rope
13	4510114030	Fix Cap
14	GM48S000000100	Connecting Bolt
15	GM56A100400000	Lock Lever
16	0801008025	Axis Pin - 8x25
17	GM56A100000040/04	Spacer
18	GM56A100000050/01	Spacer
19	GM48S030200000	Tooth Disc Kit
20	0203008000	Lock Nut-M8

7 Grasscatcher



Part 7 - Grass Catcher Spare parts

No.	ID Zboží	Název
1	4560602010/22	Frame - Grass Bag
2	4560603010/84	Grass Bag