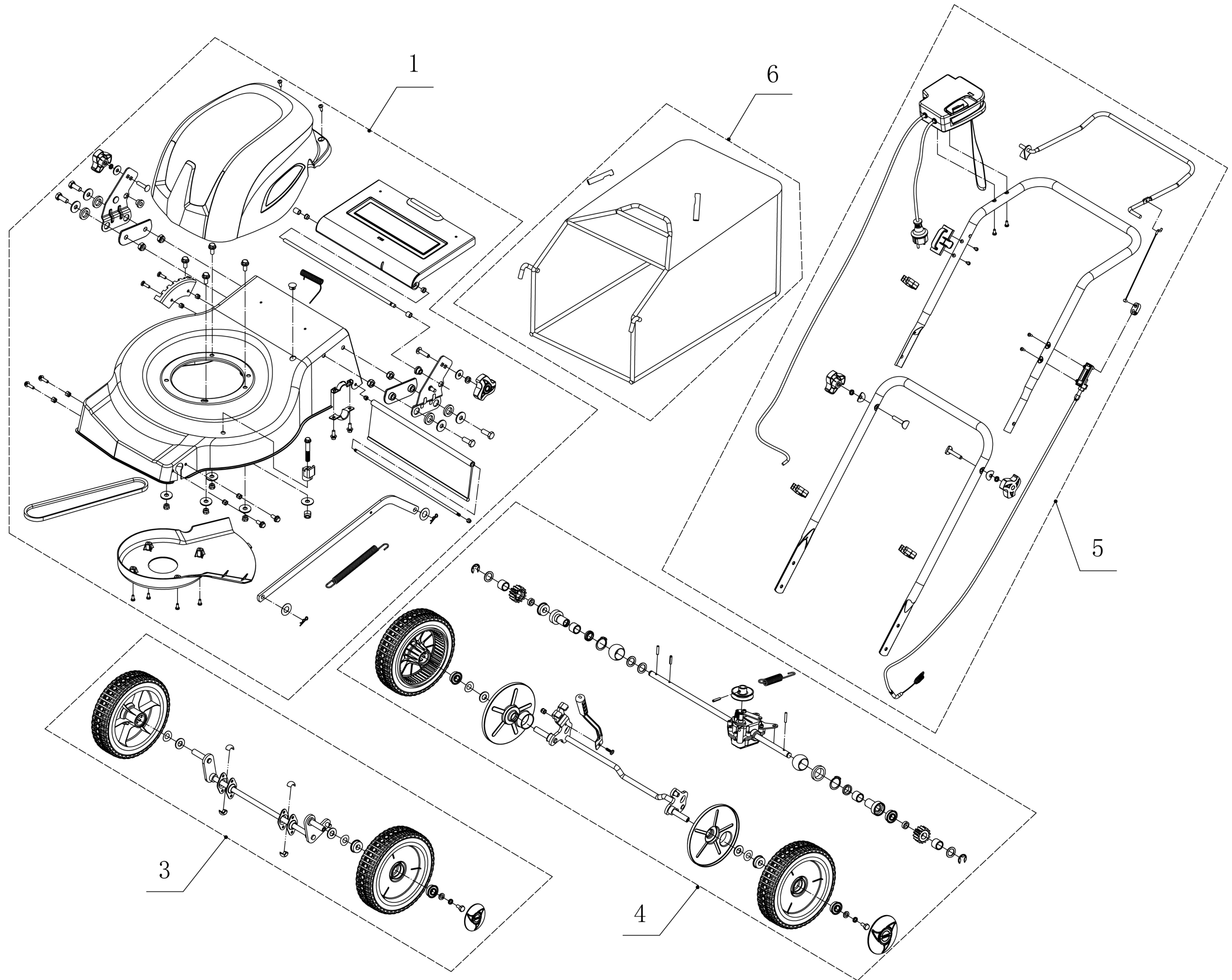
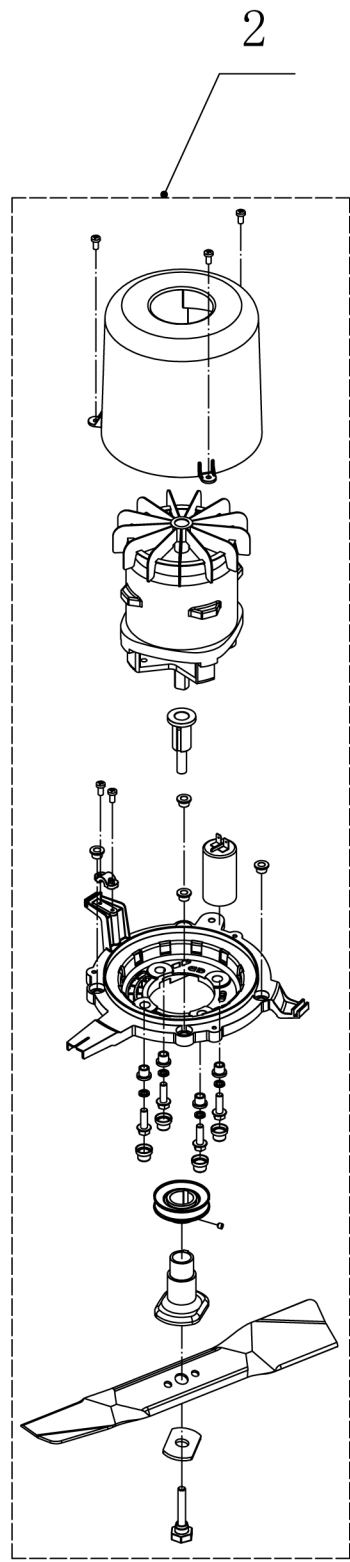
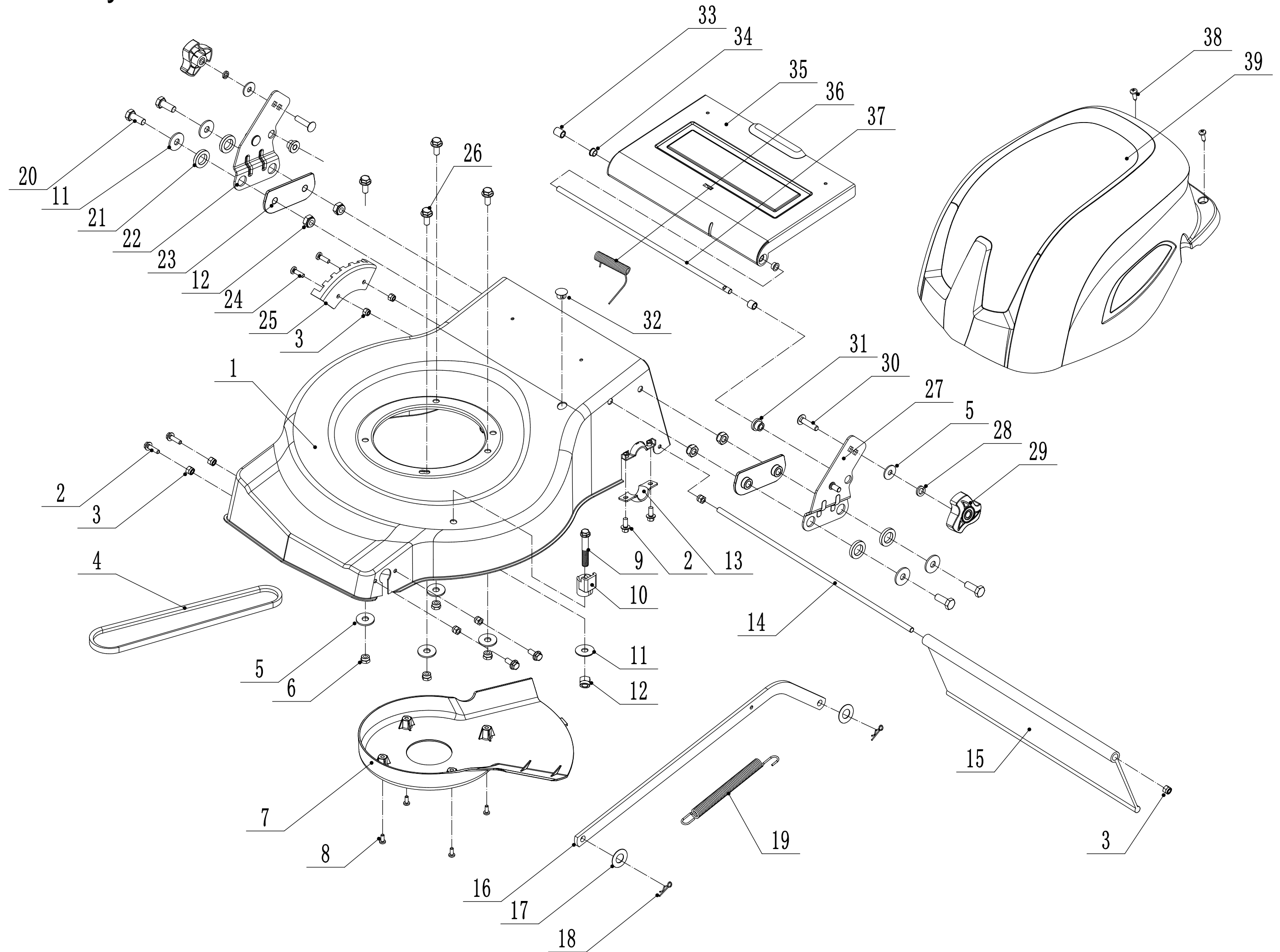


WB 453 SE 2018

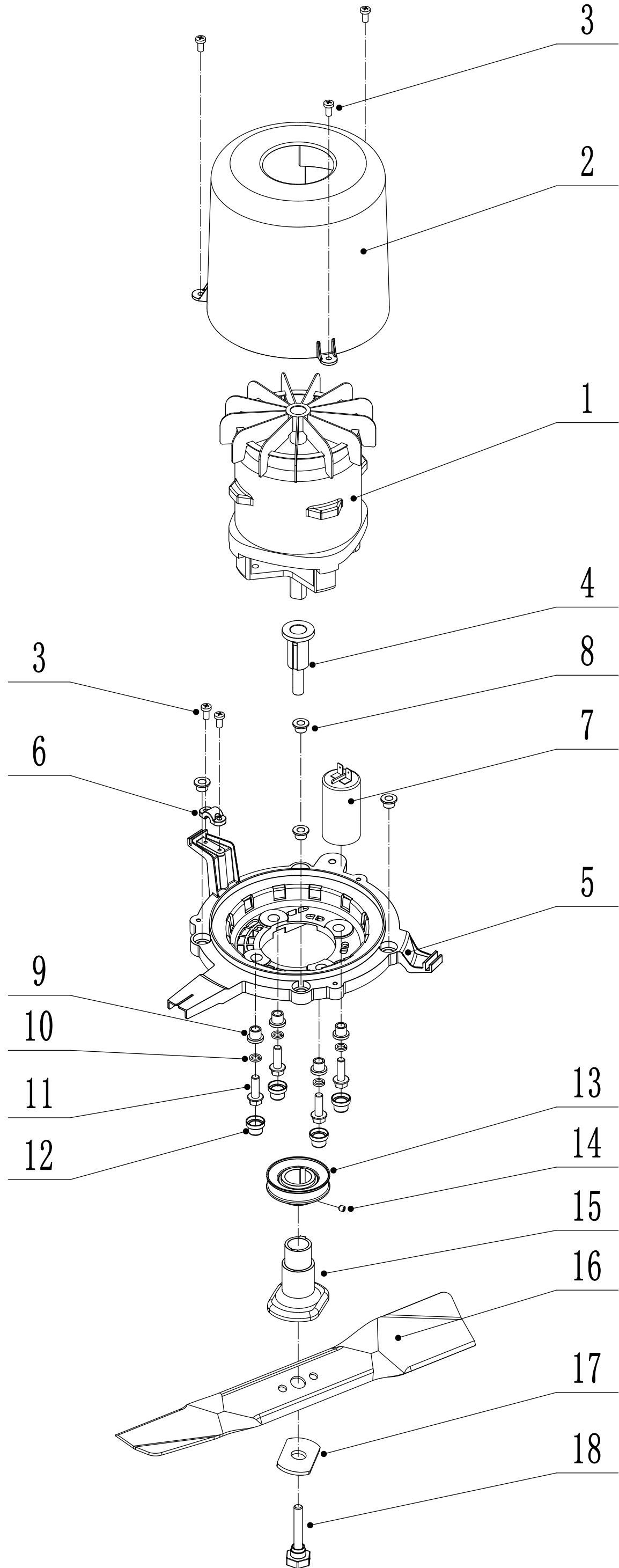


1 Main Body



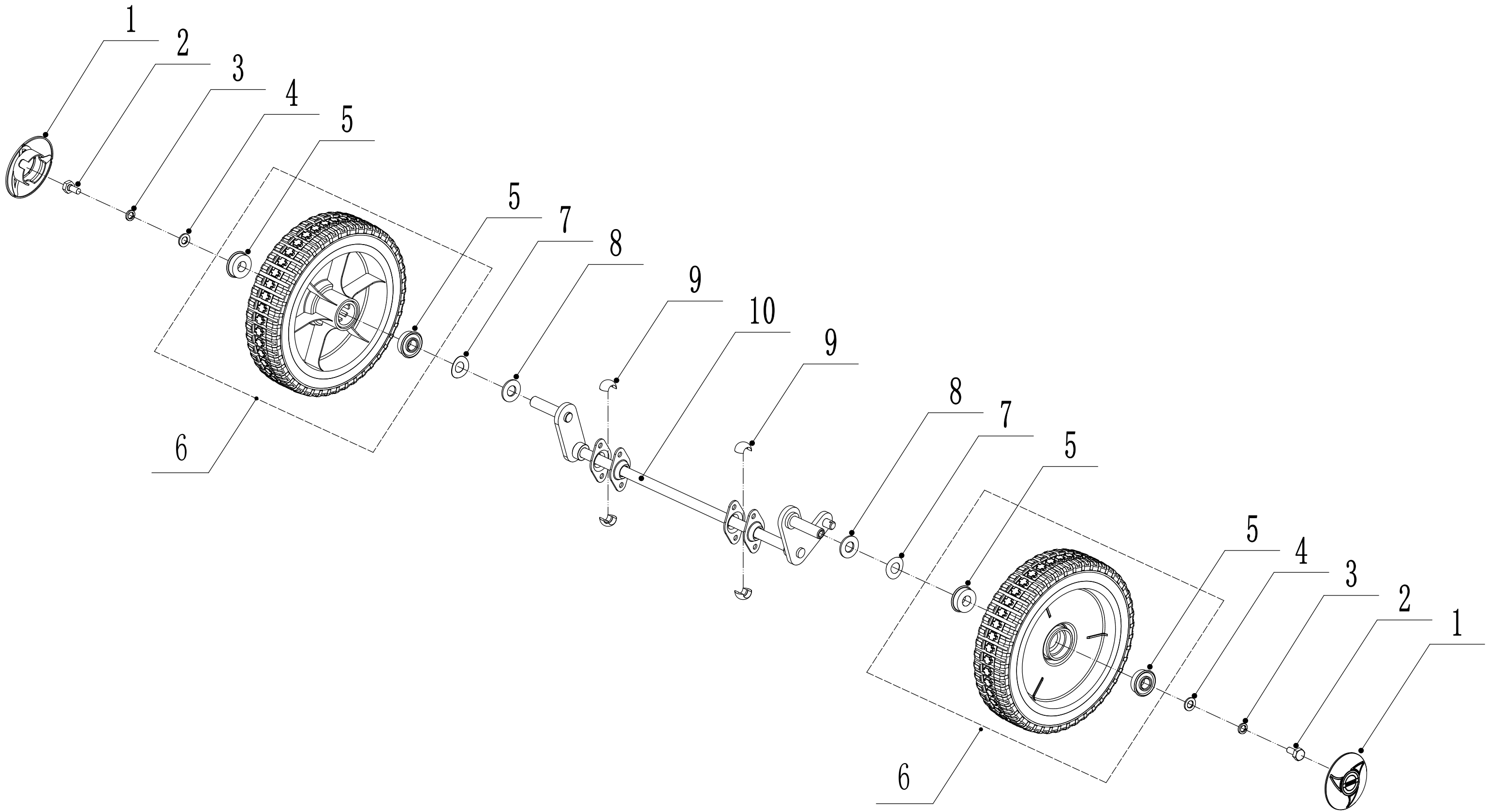
Order	Part number	Name_English	Quantity
1	4510101020/49	Main Body	1
2	0102006012	Bolt - M6x12	8
3	0202006000	Lock Nut - M6	8
4	4520111011	Belt - V10x725	1
5	0301008000	Flat Washer	6
6	0202008000	Lock Nut - M8	4
7	4540109010	Belt Cover	1
8	0106005019	St Pan Screw - 4.8x19	4
9	0102010045	Bolt - M10x45	1
10	5310317010	Spring Bracket	1
11	0302010000	Big Washer	5
12	0202010000	Lock Nut - M10	5
13	5320114020/01	Upper Bearing Bracket	2
14	4510112010/02	Rod - Trailing Flap	1
15	4510111010	Trailing Flap	1
16	4510310020/40	Connecting Rod	1
17	0301010000	Flat Washer	2
18	5320333010	Check Ring	2
19	4510311010/01	Spring - Connecting Rod	1
20	0101010025	Bolt - M10x25	4
21	4540106010	Spacer	4
22	4540104010/22	Right Bracket	1
23	4540105010	Spacer - Left Bracket	2
24	0104006014	St Pan Screw - M6x14	2
25	4510107010/01	Graduator	1
26	0102008020	Bolt - M8x20	4
27	4540103010/22	Left Bracket	1
28	0401008000	Spring Washer	2
29	4820541010	Knob	2
30	4510513010/01	Bolt - M8x25	2
31	4540107010	Spacer - Grass Bag Flap Rod	2
32	4520514010	Spacer - Clutch Cable	1
33	5320136010	Spacer - Grass Bag Flap	2
34	5320127021	Nylon Spacer - Grass Bag Flap	2
35	4510113020/22	Grass Bag Flap	1
36	4510115010	Spring - Grass Bag Flap	1
37	4510114020/02	Rod - Grass Bag Flap	1
38	0106005019	ST Pan Screw - 5.5x19	2
39	4540102010	Engine Cover	1

2 Blade System



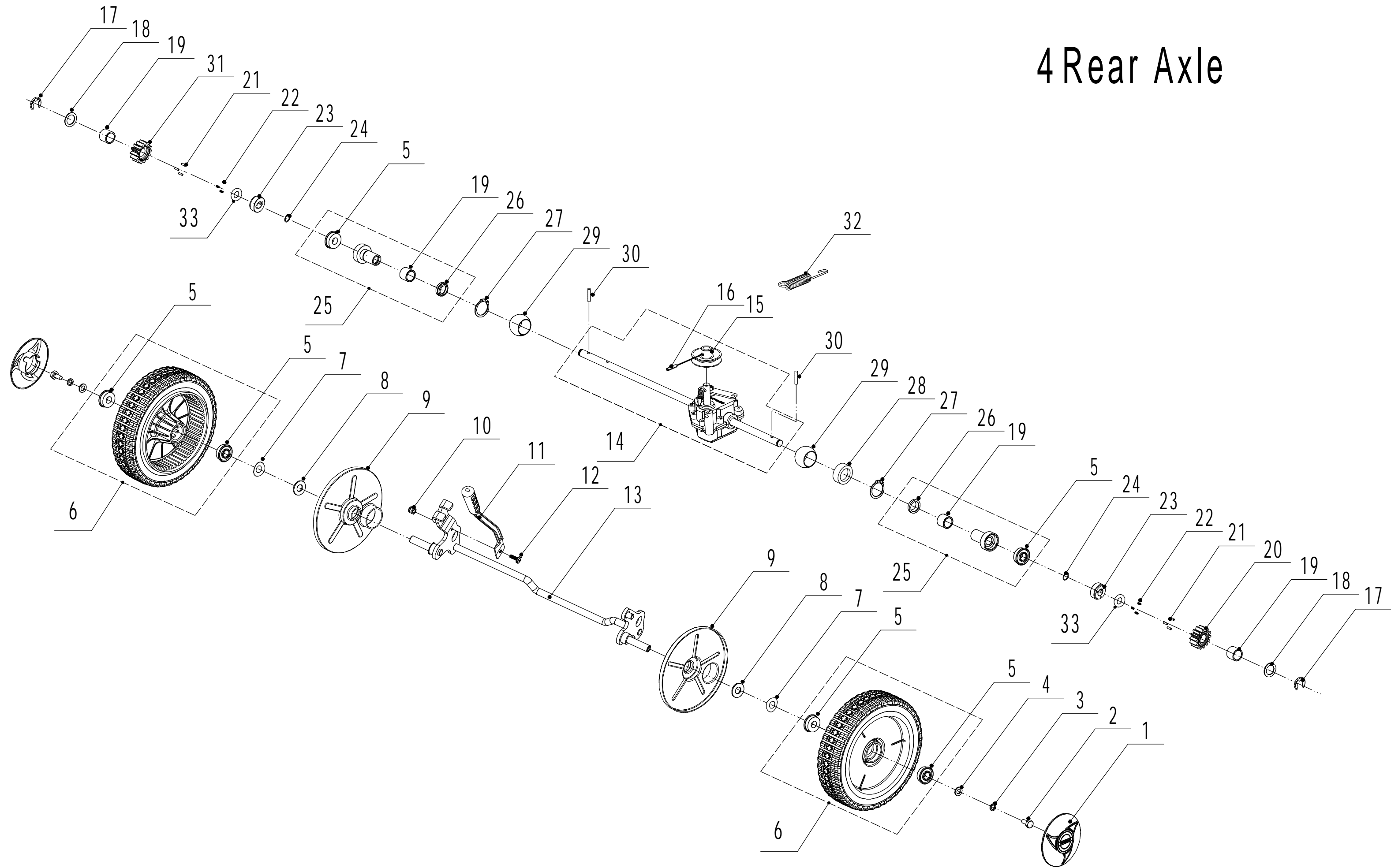
Order	Part number	Name_English	Quantity
1	YY801800	Electric Motor	1
2	4540410010	Motor Shield	1
3	0106005013	St Pan Screw - St 4.8x13	5
4	4540409010	Spindle Sheath	1
5	4340408010	Motor Connecting Base	1
6	4540414010	Cable Clip	1
7	DY25UF/450V	Capacitor	1
8	4540413010/02	Spacer	4
9	4540411010/02	Partition	4
10	0401008000	Spring Washer	4
11	0102008025	Bolt - M8x25	4
12	4540412010	Spacer	4
13	4540402010	Pulley	1
14	0105006006	Locating Screw	1
15	4540403010	Adaptor	1
16	4540404010/22	Blade	1
17	4540407010/04	Spring Washer	1
18	4540405010	Central Bolt	1

3 Front Axle



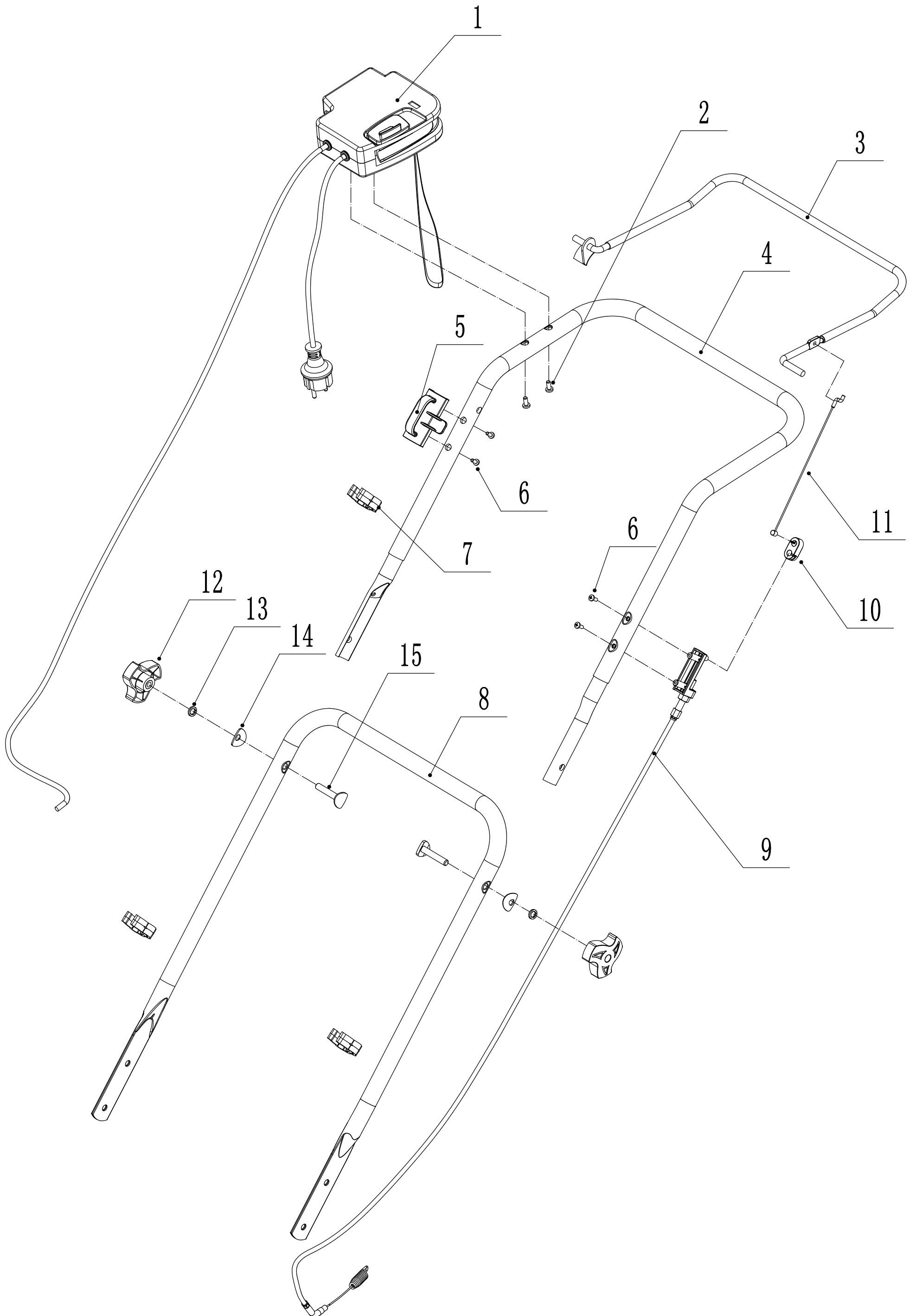
Order	Part number	Name_English	Quantity
1	5310214010	Wheel Cap	2
2	0101008016	Bolt - M8x16	2
3	0401008000	Spring Washer	2
4	0301008000	Flat Washer	2
5	5310213010	Weibang Bearing	4
6	4510210010/40	Wheel	2
7	5310211010/02	Spring Spacer	2
8	5310210010/02	Axle Washer	2
9	5310209010	Ball Bearing	4
10	4510201010/01	Front Axle	1

4 Rear Axle



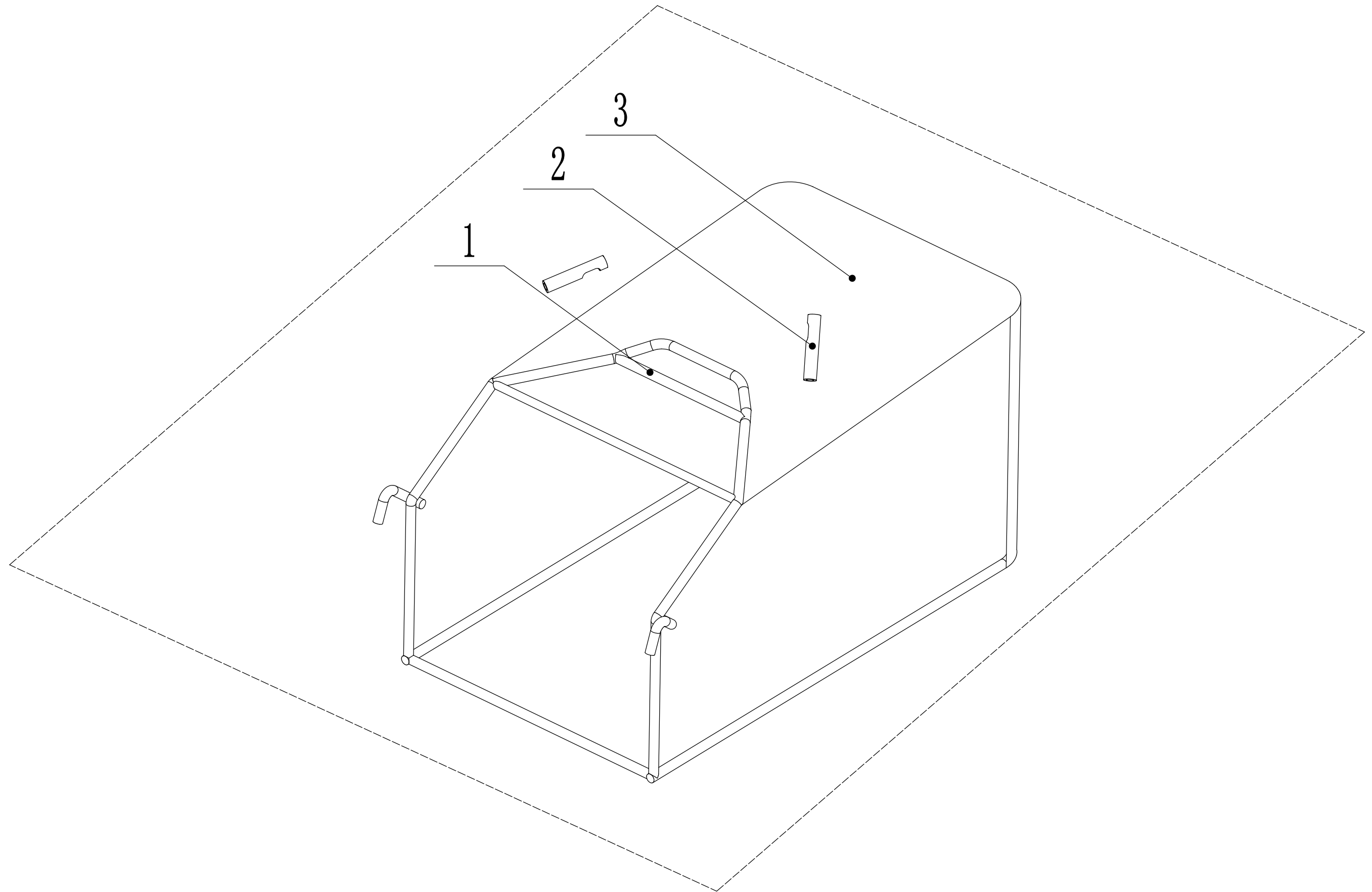
Order	Part number	Name_English	Quantity
1	4520205010	Wheel Cap	2
2	0101008016	Bolt - M8x16	2
3	0401008000	Spring Washer	2
4	0301008000	Flat Washer	2
5	5310213010	Weibang Bearing	6
6	4510210010/40	Rear Wheel	2
7	5310211010/02	Spacer	2
8	5310210010/02	Axle Washer	2
9	4520308010	Dustproof Shield	2
10	0202006000	Lock Nut - M6	1
11	4510303010/40	Adjustment Lever	1
12	0104006014	Pan Screw - M6x14	1
13	4520301010/01	Rear Axle	1
14	Y054540P	Gearbox	1
15	4540318010	Gearbox Pulley	1
16	0701005020	Flexible Pin	1
17	1301009000	Check Ring	2
18	5020311010/04	Anti-friction Washer	2
19	5320326010	Bearing	4
20	HQ000100010	Left Drive Pinion	1
21	HQ000100030	Pin	6
22	HQ000100040	Spring	6
23	HQ000100050	Ratchet	2
24	1001012000	Check Ring	2
25	Y065320	Bearing Sheath Assembly - Left	2
26	5320327010	Dustproof Ring	2
27	1001020000	Elastic Washer	2
28	4520313010/02	Spacer	1
29	5320328010	Nylon Ball Bearing	2
30	HQ000100060	Pin For Ratchet	2
31	HQ000100020	Right Drive Pinion	1
32	4520312010	Gearbox Spring	1
33	1401025015	O-Ring	2

5 Handle And Controls



Order	Part number	Name_English	Quantity
1	4540503010	Switch	1
2	0106005019	St Pan Screw - 4.8x19	2
3	4540504010	Cluth Lever	1
4	4540501010	Upper Handle	1
5	4540505010	Cable Bracket	1
6	0106004013	St Pan Screw - 4.2x13	4
7	4540507010	Cable Clip	3
8	4540502010/22	Lower Handle	1
9	4540506010	Cluth Cable	1
10	4540506030	Connector	1
11	4540506040	Cluth Cable Core	1
12	4820541010	Knob	2
13	0401008000	Spring Washer	2
14	4510510010/01	Arc Washer	2
15	5310510010/01	Bolt - M8x45	2

6 Grass Catcher



Order	Part number	Name_English	Quantity
1	4510602030/22	Frame	1
2	4510602050	Frame Sleeve	2
3	4510603120/84	Grass Bag	1