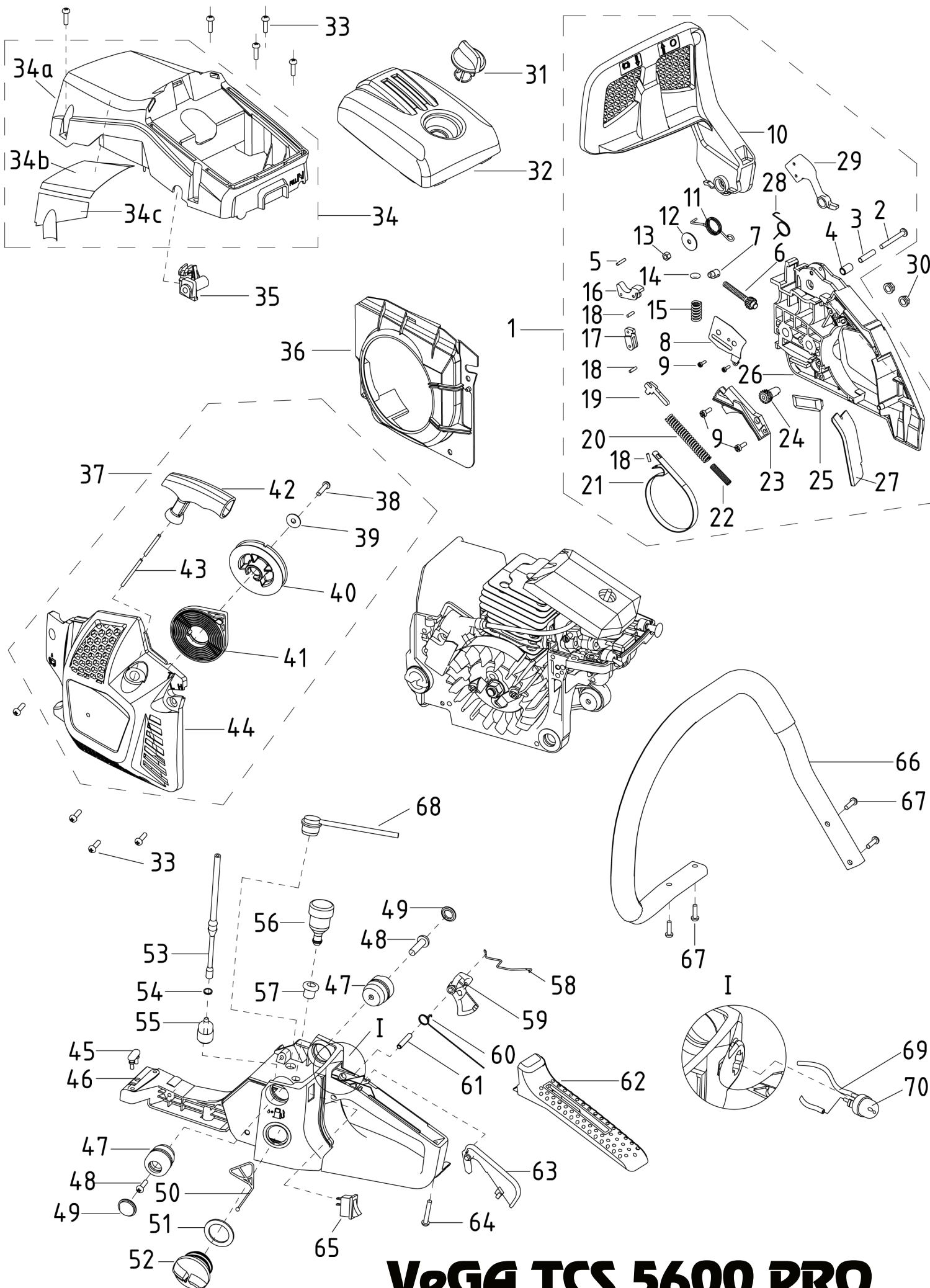


VeGA TCS 5600 PRO

2017

No.	ID.zboží	Název
1	YD56.01.02-1	cylinder
2	GB/T6170	nut M5
3	GB/T93	washer 5
4	GB/T97.1	washer 5
5	YD45.01.09.01-00	muffler body
6	YD45.01.00-2	muffler sealing plate
7	YD45.01.00-24	muffler connecting screw
8	GB/T6191	screw M5×20
9	YD45.01.11.04-00	spark plug
10	YD45.01.02-2	air intake tube sealing plate
11	YD45.01.02.01-00	air intake tube
12	GB/T2672	screw M5×12
13	YD45.01.00-17	hold coil
14	YD45.01.00-1	cylinder sealing plate
15	YD56.01.03-2	piston ring
16	YD56.01.03-1	piston
17	YD45.01.03-4	piston pin circlip
18	YD56.01.03-3	piston pin
19	YD56.01.03-5	needle bearing ring
20	YD45.01.03.01-00	crank shaft components
21	YD45.01.03.02-00	needle bearing 11×15×12.5
22	GB/T1099	semicircular key 3×3.5×10
23	YD45.00.00-4	conical spring base
24	YD45.00.00-3	conical spreader base
25	GB/T845	tapping screw ST4.8×16
26	YD45.00.00.01-00	chain shield
27	GB/T2672	screw M5×16
28	YD45.01.01.02-2	aeration jet
29	YD45.01.01.02-3	aeration jet circlip
30	YD45.01.00-22	sponge transition block
31	YD45.01.00-21	pinion rack
32	GB/T2672	screw M5×10
33	YD45.01.00.04-2	oil filter screen
34	YD45.01.00.04-1	oil filter
35	YD45.01.00-12	oil tube
36	GB/T2672	screw M4×14
37	YD45.01.15-00	oil pump
38	YD45.01.00-23	sponge transition coil
39	YD45.01.00-13	nozzle
40	YD45.01.00-16	chain guide block
41	GB/T900	double-screw bolt AYM8-M8×26
42	YD45.01.13.01-00	clutch
43	YD45.01.13.01-2	shoe block
44	YD45.01.13.01-1	retainer
45	YD45.01.13.01-3	clutch spring
46	YD45.01.00-19	clutch adjusting washer
47	YD45.01.00.10-00	needle bearing 12×15×14.5
48	YD45.01.13-1	clutch shell
49	YD45.01.00-26	sprocket
50	YD45.01.00.06-00	worm
51	YD45.01.00-15	cover plate
52	YD45.01.00.09-00	oil seal 15×28×4.5
53	GB/T276	bearing 6202Dgrade 15×35×11
54	YD45.01.00-8	cushion block
55	YD45.01.00-7	choke rod fixation root
56	YD45.01.00.03-00	choke rod
57	YD45.01.00-11	right shock block
58	YD45.01.00.07-00	shock seat

No.	ID.zboží	Název
59	YD45.01.00.01-00	air intake tube support
60	YD45.01.00-4	tie plate
61	YD45.01.00-3	sealing plate of air intake support
62	YD45.01.00-14	air intake tube flange
63	YD45.01.06-00	carburetor
64	YD45.01.00.02-00	air intake socket
65	TCS4600.01.08-00	air filter
66	GB/T899	double-screw bolt GM5-M5×30
67	YD45.01.00-5	cushion of air intake socket
68	GB/T2672	screw M5×50
69	YD45.01.01.02-1	right case
70	YD45.01.00-6	dust plate
71	GB/T119.2	pin 5×10
72	YD38-3.01.11.03-00	earth wire
73	YD45.01.00-10	left shock block
74	GB/T6191	screw M5×25
75	YD45.01.00-20	oil shield
76	GB/T93	washer 4
77	GB/T2672	screw M4×8
78	GB/T2672	screw M4×10
79	YD45.01.10.01-00a	flywheel assembly
80	GB/T6177.2	nut M8×1
81	JB/T7757.2	O sealing 20×3.1
82	YD45.01.00.05-2	anti-drop plate
83	TCS4600.03.03-1	oil cover
84	YD45.01.01.01-3	suction tube circlip
85	YD45.01.01.01-2	suction tube 2.5×6×105
86	YD45.01.01.03-00	suction jet
87	YD45.01.01.01-1	left case
88	GB/T893.1	shield ring 35
89	YD45.01.00.08-00	oil seal 15×35×4.5
90	YD45.01.11.01-00	igniter
91	YD45-7.01.11.02-00	extinction conductor
92	TCS4600.01.11-3	igniter cap
93	YD45.00.00-9	dust cover
94	YD45.01.01-1	case body sealing plate
95	YD45.01.00-18	damper



VeGA TCS 5600 PRO

No.	ID.zboží	Název
1	TCS4600.04.00-00	right cover assembly
2	YD38-3.04.00-16	screw M5×40
3	YD38-3.04.00-13	shield pipe
4	YD38-3.04.00-12	pipe
5	GB/T119.2	pin 3×14
6	YD45.04.00-24	tightener screw
7	YD45.04.00-25	tension block
8	YD45.04.00-11	tensioner cover plate
9	GB/T845	tapping screw ST4.2×9.5
10	TCS4600.04.00-2	front damper
11	YD38-3.04.00-9	brake torsion rod spring
12	YD45-3.04.00-13	washer 5.2×20×1.2
13	GB/T6183.1	nut M5
14	YD38-3.04.00-6	spring base
15	YD38-3.04.00-5	front damper spring
16	YD38-3.04.00-4	main lever
17	YD38-3.04.00-3	secondary pull-rod
18	GB/T119.2	pin 3×9
19	YD45.04.00-14	brake control rod
20	YD45.04.00-9	brake spring
21	YD45-4.04.00-12	brake strap
22	YD45.04.00-10	secondary brake spring
23	YD45-4.04.00-1	brake spring cover plate
24	YD45.04.00-26	tension gear
25	YD45.01.00-16	chain guide block
26	TCS4600.04.01-00	right cover
27	TCS4600.04.00-7	dust shield
28	YD38-3.04.00-7	heavy block spring
29	YD38-3.04.02-00	heavy block
30	GB/T6177.1	nut M8
31	TCS4600.05.01-00	air filter lock nut
32	TCS4600.00.00-1	air filter cover
33	GB/T2672	screw M5×16
34	TCS4600.05.00-00	upper cover plate assembly
34a	TCS4600.05.00-1	upper cover plate
34b	TCS4600.05.00-2	upper heat isolation plate
34c	TCS4600.05.00-3	side heat isolation plate

No.	ID.zboží	Název
35	TCS4600.00.00-6	idle adjusting guide set
36	TCS4600.02.00-1	guide flow cover
37	TCS4600.02.00-00	starter assembly
38	GB/T845	tapping screw ST4.8×14
39	GB/T96	washer 5
40	YD45.02.00-2	starter palte
41	YD45.02.00-5	start coil spring
42	YD38-5.02.00-4	start handle
43	YD45.02.00-7	start stretching wire
44	TCS4600.02.01-00	starter cover
45	YD45.03.00-1	shock rubber
46	YD46.03.01-00	base
47	YD45.03.02-00	shock rubber gland
48	YD50.00.00-9	screw
49	YD45.00.00-2	dust cover
50	YD38-3.03.02-2	anti-drop plate
51	JB/T7757.2	O sealing 24.7×3.55
52	TCS4600.03.02-1	petrol cover
53	YD45.03.00-2	fuel tube
54	YD45.03.00-15	fuel tube circlip
55	YD45.03.03-00	petrol filter componets
56		balancer
57	YD38-3.03.00-3	balancer root
58	YD45.03.00-25	throttle rod
59	YD45.03.00-11	trigger
60	YD45.03.00-12	trigger torsion rod spring
61	GB/T119.2	pin6×22
62	TCS4600.03.04-00	handle cover
63	YD45.03.00-13	trigger control rack
64	GB/T845	tapping screw ST4.2×22
65	YD38-3.01.11.04-00	extinction switch
66	YD45-2.06.00-00	front handle assembly
67	GB/T845	tapping screw ST4.8×16
68	YD45-4.03.00-11	scavenge nozzle
69	YD45-4.03.00-13	pump tube
70	YD38-3.00.00	Primer bulb