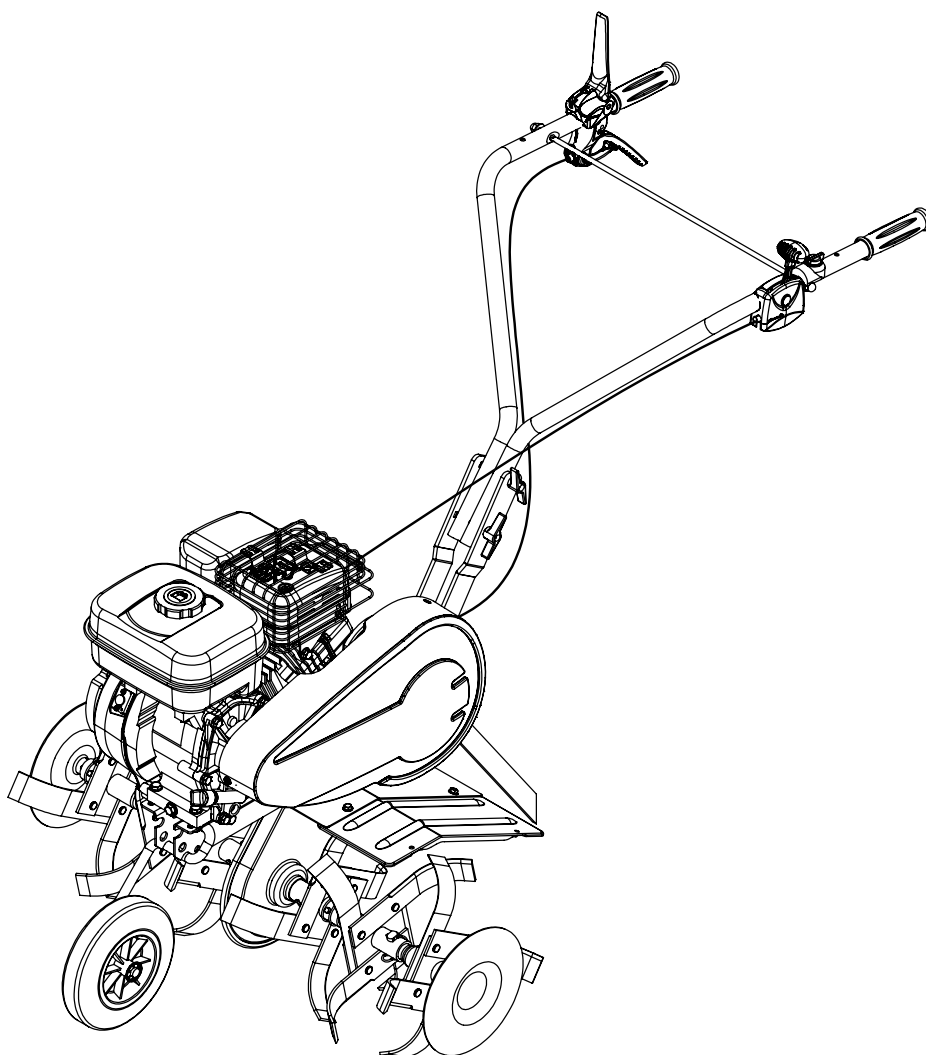
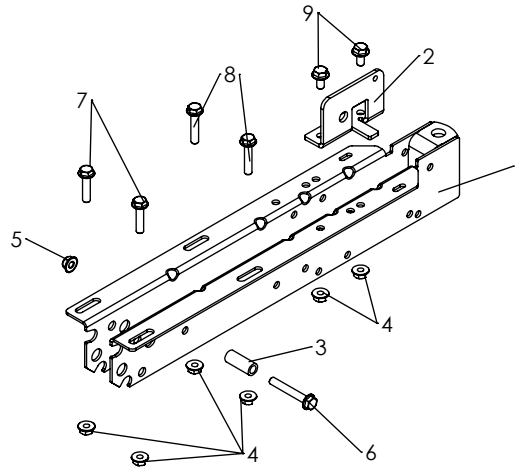


Pièces de rechange Spare parts list

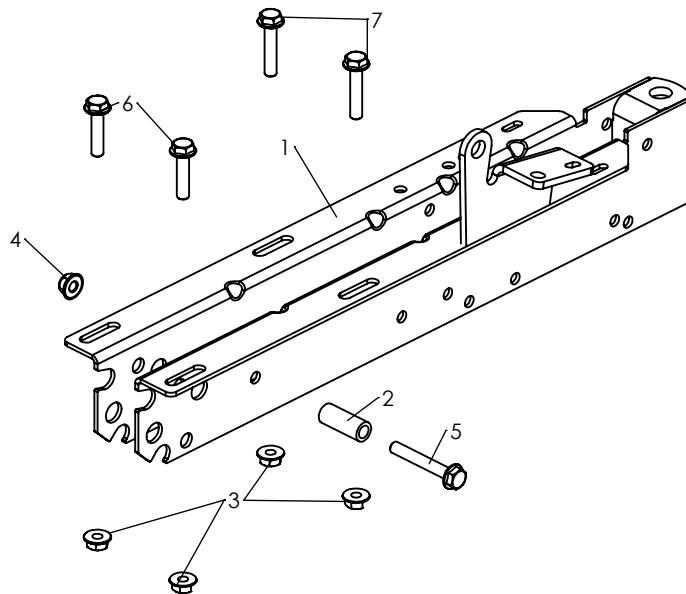
300017****



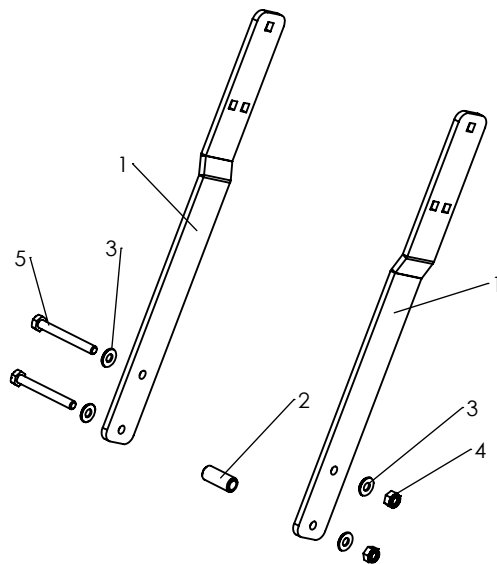
*MOTOBINEUSE
TILLER*



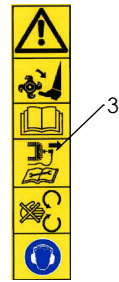
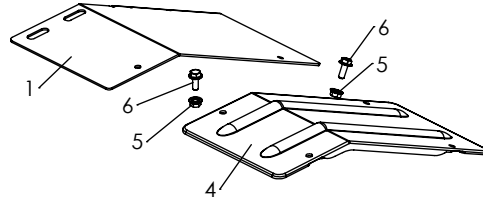
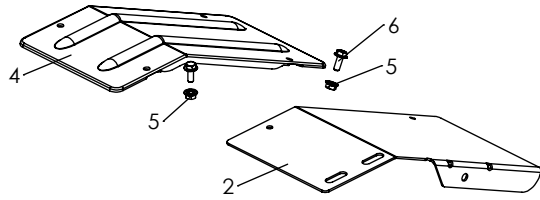
Rep N°	Ref.	Désignation	Description	Qté
1	3002174401	CHASSIS COMPACT EVO VERT RAL6009	FRAME OF COMPACT EVO GREEN RAL6009	1
1	3002171301	CHASSIS COMPACT EVO ROUGE RAL3002	FRAME OF COMPACT EVO RED RAL3002	1
1	3002170601	CHASSIS COMPACT EVO GRIS (627)	FRAME OF COMPACT EVO GREY (627)	1
1	3002170501	CHASSIS COMPACT EVO GRIS (8120)	FRAME OF COMPACT EVO GREY (8120)	1
1	3002170301	CHASSIS COMPACT EVO NOIR RAL9005	FRAME OF COMPACT EVO BLACK RAL9005	1
2	0304000221	EQUERRE SUPPORT LEVIER EMBR COMPACT	SUPPORT FOR CLUTCH LEVER COMPACT	1
3	0302020015	ENTR. 14x9x35 xZNCR3x ENTRETOISE CHASSIS	SPACER 14x9x35 xZ	1
4	0300260801	ECROU HM 8 ZEMB CR DIN 6923-8	NUT H M8 Z NOTCHED SHOULDER	6
5	0300210805	ECROU BDR HM8 EMB LISSE DIN6927	NUT BDR HM8 SMOOTH BASE DIN6927	1
6	0300010837	VIS H 8x55 Z EMB CR DIN 6921 CL 6.8 FILETAGE PARTIEL	SCREW H 8x55 Z DIN 6921 NOTCHED SHOULDER CL 6.8	1
7	0300010834	VIS H 8x35 Z EMB CR DIN 6921	SCREW H 8x35 Z DIN 6921 NOTCHED SHOULDER CL 6.8	2
8	0300010817	VIS H 8x40 Z EMB CR DIN 6921	SCREW H M8 X 40	2
9	0300010815	VIS H 8x16 Z EMB CR DIN 6921 CL 6.8	SCREW H M8X16 Z NOTCHED SHOULDER CL 6.8	2



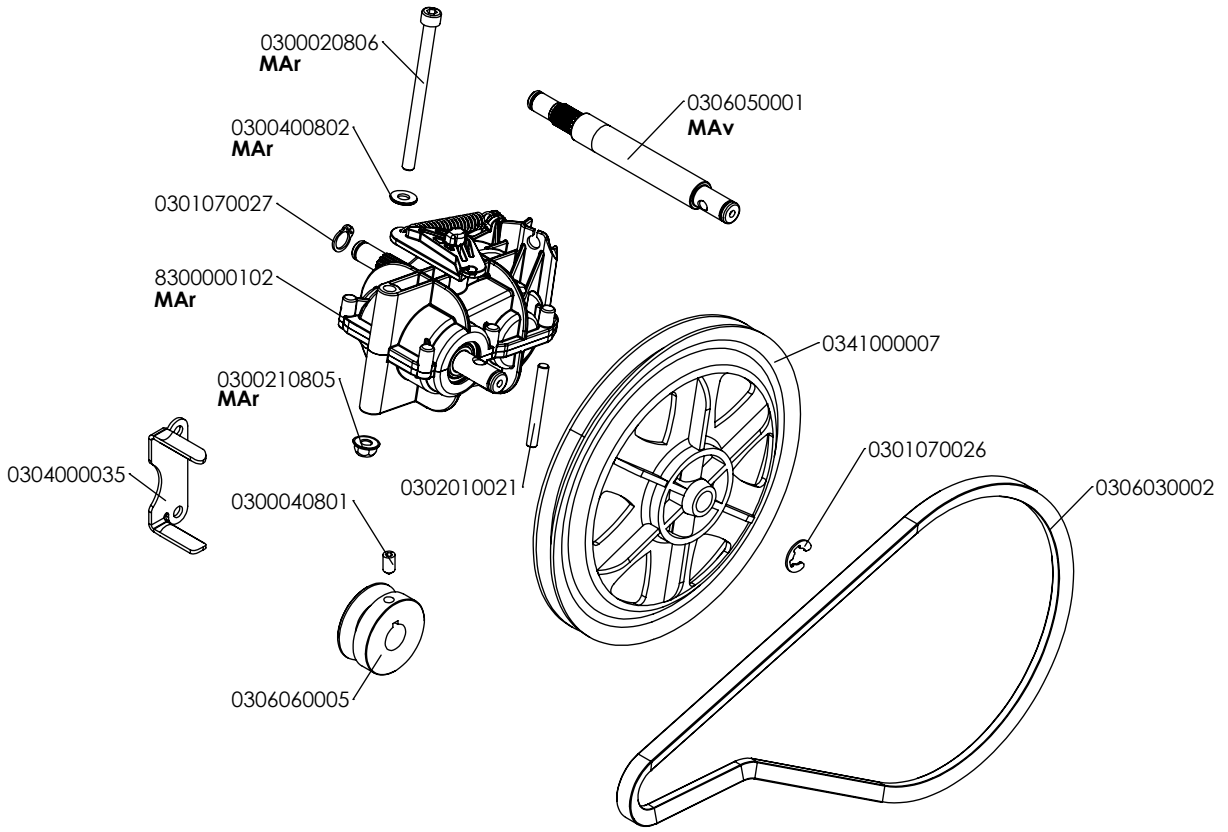
Rep N°	Ref.	Désignation	Description	Qté
1	3002170505	CHASSIS FTR Gris (8120)	FRAME OF FTR Grey (8120)	1
1	3002170305	CHASSIS FTR NOIR RAL9005	FRAME OF FTR BLACK RAL9005	1
1	3002171305	CHASSIS FTR ROUGE RAL3001	FRAME OF FTR RED RAL3001	1
1	3002174405	CHASSIS FTR VERT RAL6009	FRAME OF FTR GREEN RAL6009	1
1	3002170605	CHASSIS FTR Gris (627)	FRAME OF FTR Gris (627)	1
2	0302020015	ENTR. 14x9x35 xZNCR3x ENTRETOISE CHASSIS	SPACER 14x9x35 xZ	1
3	0300260801	ECROU HM 8 ZEMB CR DIN 6923-8	NUT H M8 Z NOTCHED SHOULDER	4
4	0300210805	ECROU BDR HM8 EMB LISSE DIN6927	NUT BDR HM8 SMOOTH BASE DIN6927	1
5	0300010837	VIS H 8x55 Z EMB CR DIN 6921 CL 6.8 FILETAGE PARTIEL	SCREW H 8x55 Z DIN 6921 NOTCHED SHOULDER CL 6.8	1
6	0300010834	VIS H 8x35 Z EMB CR DIN 6921	SCREW H 8x35 Z DIN 6921 NOTCHED SHOULDER CL 6.8	2
7	0300010817	VIS H 8x40 Z EMB CR DIN 6921	SCREW H M8 X 40	2



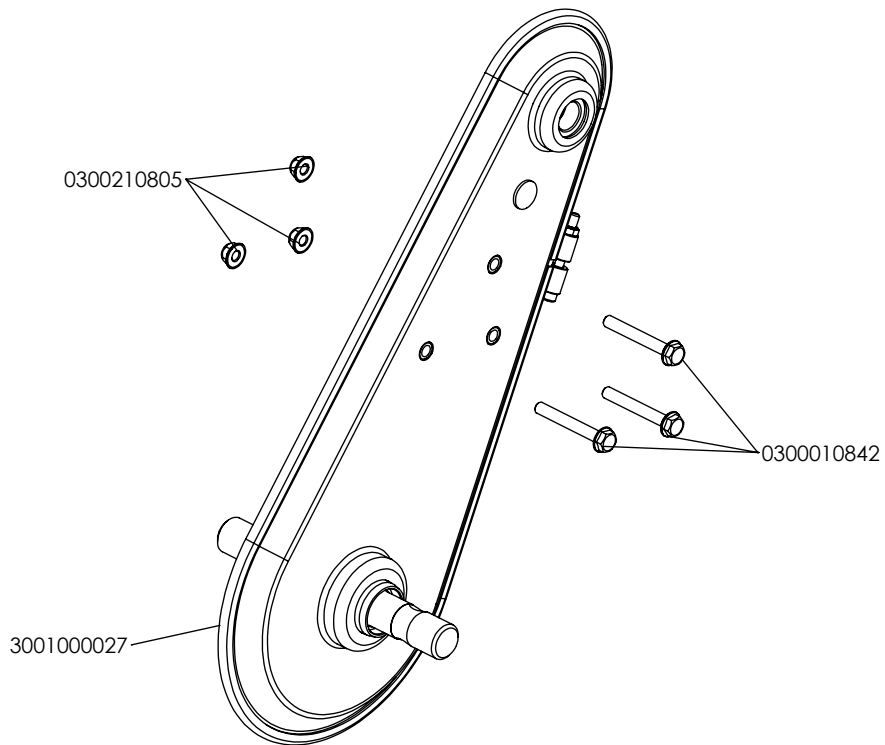
Rep N°	Ref.	Désignation	Description	Qté
1	3002180306	PLAT POTENCE GUID 40x6 EMB 6.5 NOIR RAL 9005	HANDLEBAR BRACKET 40x6 DRAW6.5 BLACK RAL 9005	2
1	3002180506	PLAT POTENCE GUID 40x6 EMB 6.5 GRIS (8120)	HANDLEBAR BRACKET 40x6 DRAW6.5 GREY (8120)	2
1	3002180606	PLAT POTENCE GUID 40x6 EMB 6.5 GRIS (627)	HANDLEBAR BRACKET 40x6 DRAW6.5 GREY (627)	2
1	3002181306	PLAT POTENCE GUID 40x6 EMB 6.5 ROUGE RAL3001	HANDLEBAR BRACKET 40x6 DRAW6.5 RED RAL3001	2
1	3002181806	PLAT POTENCE GUID 40x6 EMB 6.5 VERT RAL6005	HANDLEBAR BRACKET 40x6 DRAW6.5 GREEN RAL6005	2
1	3002182706	PLAT POTENCE GUID 40x6 EMB 6.5 GRIS RAL7040 - GRIS 8201	HANDLEBAR BRACKET 40x6 DRAW6.5 GREY RAL7040 - GREY 8201	2
1	3002184406	PLAT POTENCE GUID 40x6 EMB 6.5 VERT RAL6009	HANDLEBAR BRACKET 40x6 DRAW6.5 GREEN RAL6009	2
2	0302020082	ENTR. 14x9x34 xZNCr3	Spacer Ø9 x Ø14 x 34z	1
3	0300400802	RONDELLE PLATE M 8X18X1.5 Z NFE 25513	PLATE WASHER M 8X18X1.5 Z NFE 25513	4
4	0300210802	ECROU FREIN M 8 Z DIN 985/8	BLOCKING NUT HM 8 Z DIN 985/8	2
5	0300010813	VIS H 8 X 70/22Z DIN 931/6.8	SCREW H 8 X 70/22Z DIN 931/6.8	2



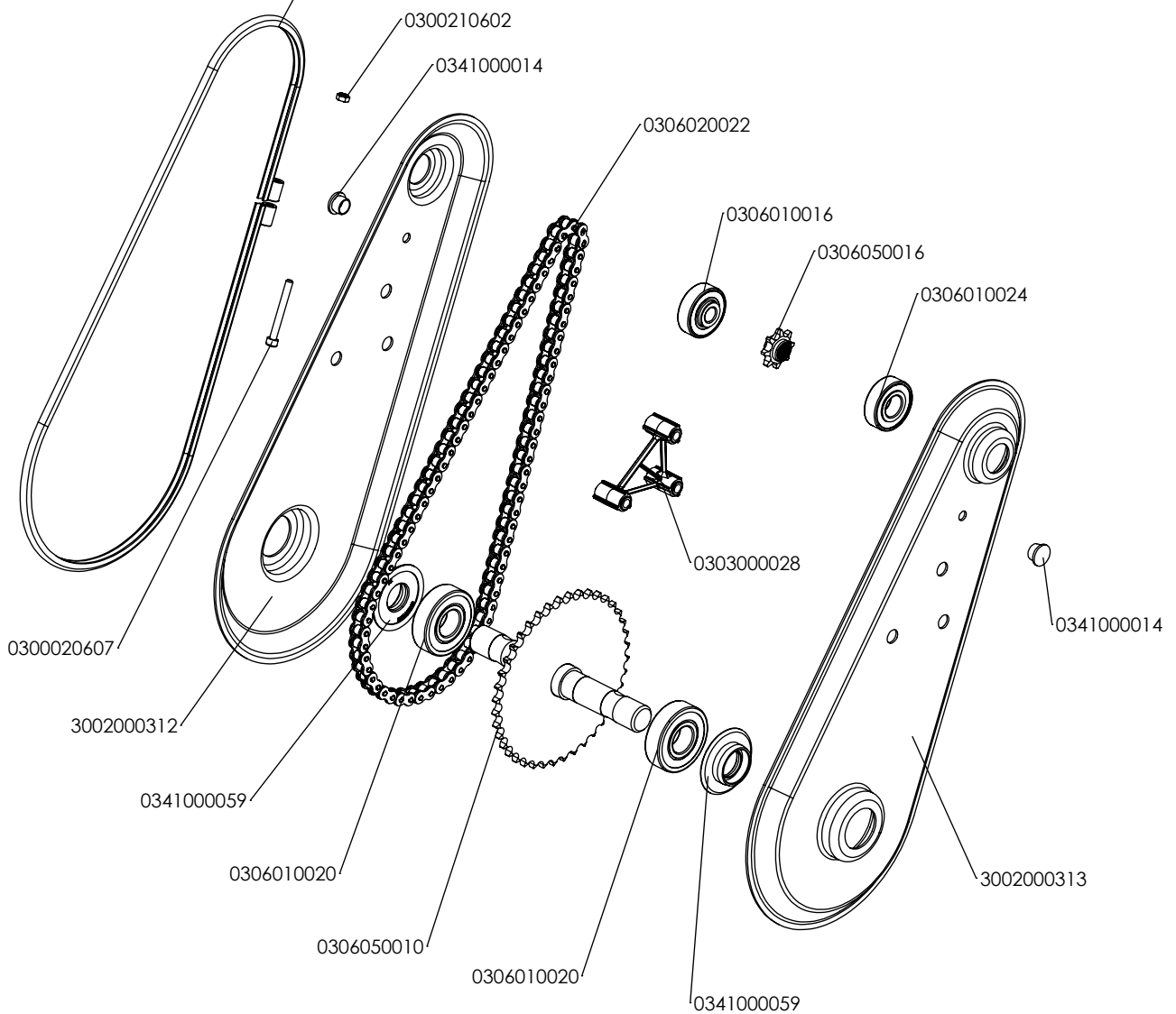
Rep N°	Ref.	Désignation	Description	Qté
1	3002174404	TOLE PROTECTION GAUCHE VERT RAL6009	LEFT TINE GUARD COMPACT EVO GREEN RAL6009	1
1	3002173604	TOLE PROTECTION GAUCHE VERT P381C	LEFT TINE GUARD COMPACT EVO GREEN P381C	1
1	3002173504	TOLE PROTECTION GAUCHE GRIS RAL7000	LEFT TINE GUARD COMPACT EVO Grey RAL7000	1
1	3002171304	TOLE PROTECTION GAUCHE ROUGE RAL3002	LEFT TINE GUARD COMPACT EVO RED RAL3002	1
1	3002170604	TOLE PROTECTION GAUCHE Gris (627)	LEFT TINE GUARD COMPACT EVO Grey (627)	1
1	3002170504	TOLE PROTECTION GAUCHE Gris (8120)	LEFT TINE GUARD COMPACT EVO Grey (8120)	1
1	3002170304	TOLE PROTECTION GAUCHE NOIR RAL9005	LEFT TINE GUARD COMPACT EVO BLACK RAL9005	1
2	3002174403	TOLE PROTECTION DROITE VERT RAL6009	RIGHT TINE GUARD COMPACT EVO GREEN RAL6009	1
2	3002173603	TOLE PROTECTION DROITE VERT P381C	RIGHT TINE GUARD COMPACT EVO GREEN P381C	1
2	3002173503	TOLE PROTECTION DROITE GRIS RAL7000	RIGHT TINE GUARD COMPACT EVO Grey RAL7000	1
2	3002171303	TOLE PROTECTION DROITE ROUGE RAL3002	RIGHT TINE GUARD COMPACT EVO RED RAL3002	1
2	3002170603	TOLE PROTECTION DROITE Gris (627)	RIGHT TINE GUARD COMPACT EVO Grey (627)	1
2	3002170503	TOLE PROTECTION DROITE Gris (8120)	RIGHT TINE GUARD COMPACT EVO Grey (8120)	1
2	3002170303	TOLE PROTECTION DROITE NOIR RAL9005	RIGHT TINE GUARD COMPACT EVO BLACK RAL9005	1
3	0503000094	ETIQ. "SECURITE 6 LOGOS" CE	STICKER SECURITY	1
4	0340010214	EXT TOLE PROT COMPACT EVO BLEU RAL5002	ADD. TINE GUARD COMPACT EVO BLUE RAL5002	2
4	0340010205	EXT TOLE PROT COMPACT EVO VERT RAL6005 PP	ADD. TINE GUARD COMPACT EVO GREEN RAL6005	2
4	0340010190	EXT TOLE PROT COMPACT EVO VERT P381C	ADD. TINE GUARD COMPACT EVO GREEN P381C	2
4	0340010102	EXT TOLE PROT COMPACT EVO VERT RAL6029	ADD. TINE GUARD COMPACT EVO GREEN RAL6029	2
4	0340010101	EXTENTION TOLE PROT COMPACT EV BLEU RAL5010	ADD. TINE GUARD COMPACT EVO BLUE RAL5010	2
4	0340010099	EXTENTION TOLE PROT COMPACT EV GRIS RAL7000	ADD. TINE GUARD COMPACT EVO GREY RAL7000	2
4	0340010096	EXTENTION TOLE PROT COMPACT EV ORANGE RAL2009	ADD. TINE GUARD COMPACT EVO ORANGE RAL2009	2
4	0340010095	EXT TOLE PROT COMPACT EVO ORANGE P1375C	ADD. TINE GUARD ORANGE P1375C	2
4	0340010094	EXTENTION TOLE PROT COMPACT EV ROUGE RAL3001	ADD. TINE GUARD COMPACT EVO RED RAL3001	2
4	0340010092	EXT TOLE PROT COMPACT EVO NOIR RAL9005	ADD. TINE GUARD xBLACK RAL9005	2
5	0300260601	ECROU HM 6 ZEMB CR DIN 6923	NUT H M6 Z NOTCHED SHOULDER	4
6	0300010609	VIS H 6x16 Z EMB CR DIN 6921	SCREW HM 6X16 Z NOTCHED SHOULD	4



MAv=Marche Avant / Forward running
MAr=Marche Arrière / Reverse running

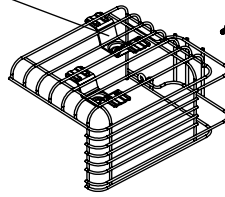


- 3002000306 NOIR / BLACK RAL9005
- 3002000506 GRIS / GREY (8120)
- 3002001306 ROUGE / RED RAL3001
- 3002001501 ROUGE / RED R280
- 3002001701 JAUNE / YELLOW RAL1028
- 3002002301 BLEU / BLUE P301
- 3002002401 ORANGE / RAL2004
- 3002003401 JAUNE / YELLOW RAL1033
- 3002003506 GRIS / GREY RAL7000
- 3002003606 VERT / GREEN P381C
- 3002005206 BLEU / BLEU RAL5002

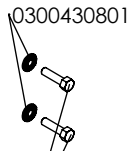
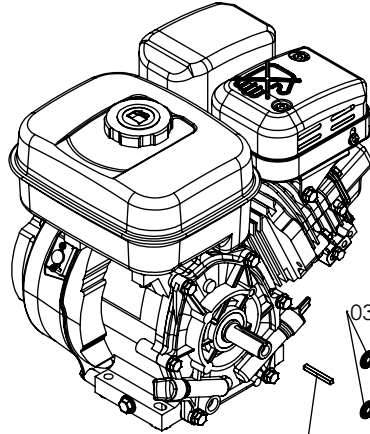


0330012003 : GX120 / GX160
 0330012007 : GX200
 0330012009 : GP160
 0330012010 : GP200
 0330032001 : EP
 0330062003 : Lc170
 0330082002 : GT400
 0330082003 : GT600
 0330092003 : R180 / R210
 0330102001 : SH265

0300010507 : Lc170
 0300010617 : GT400 / GT600
 0300010620 : EP
 0300080501 : GX120 / GX160 / GX200 / GP160 / GP200 / R180 / R210

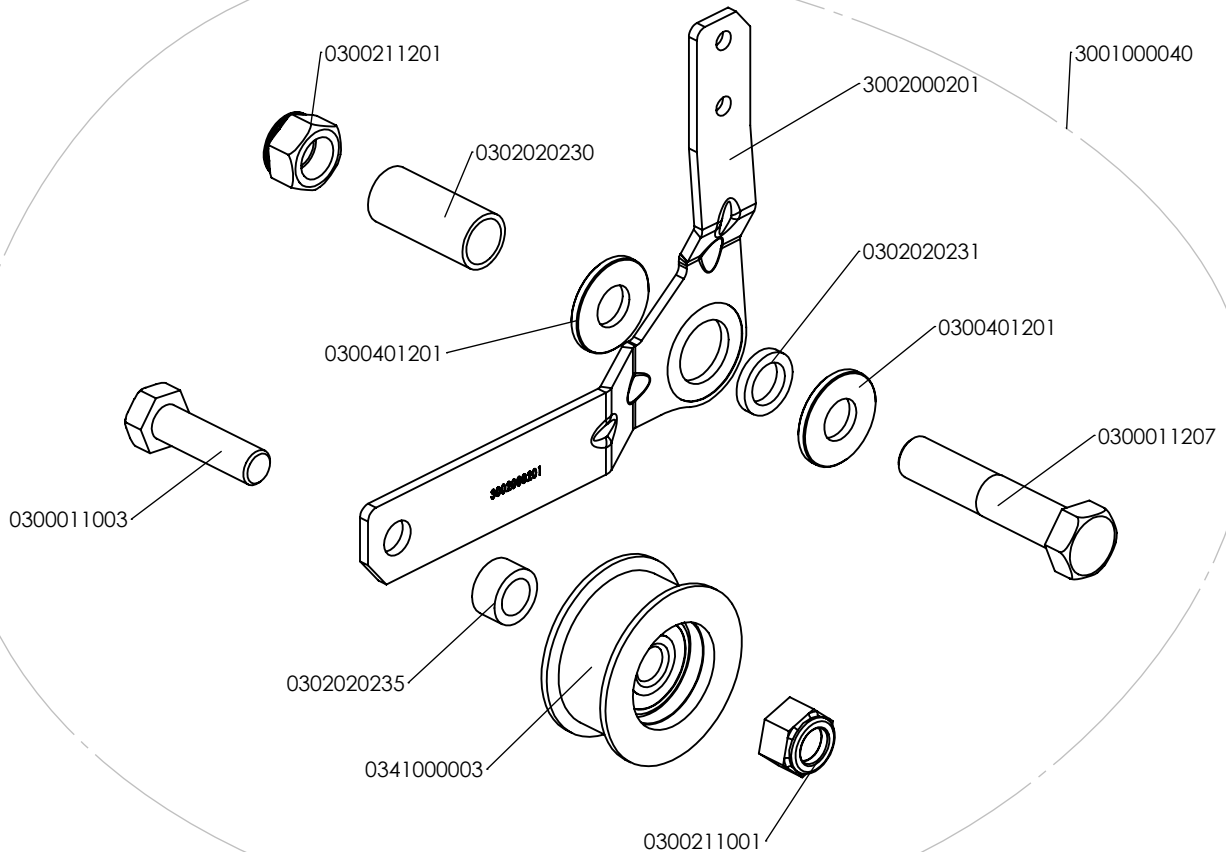


0300080404 : EP
 0300080602 : GX120 / GX160 / GP160

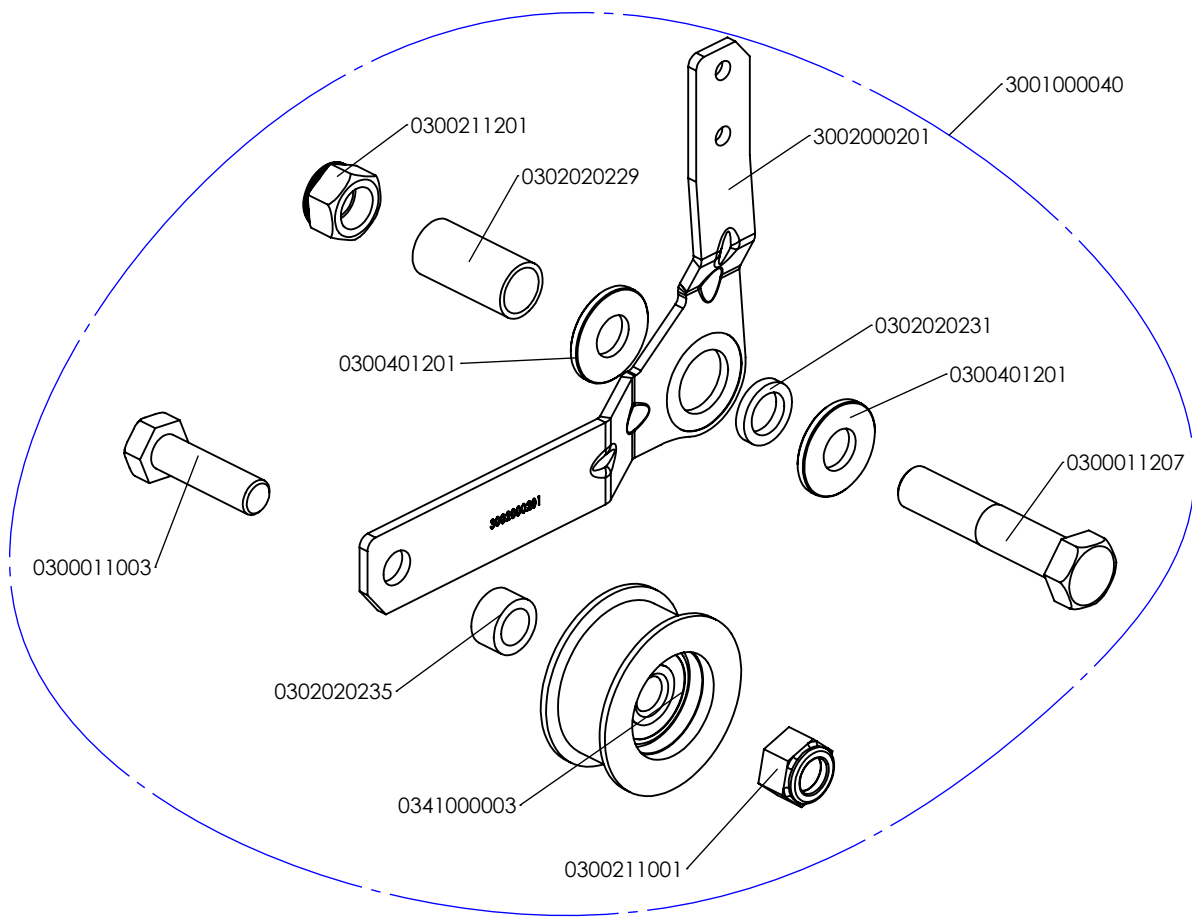


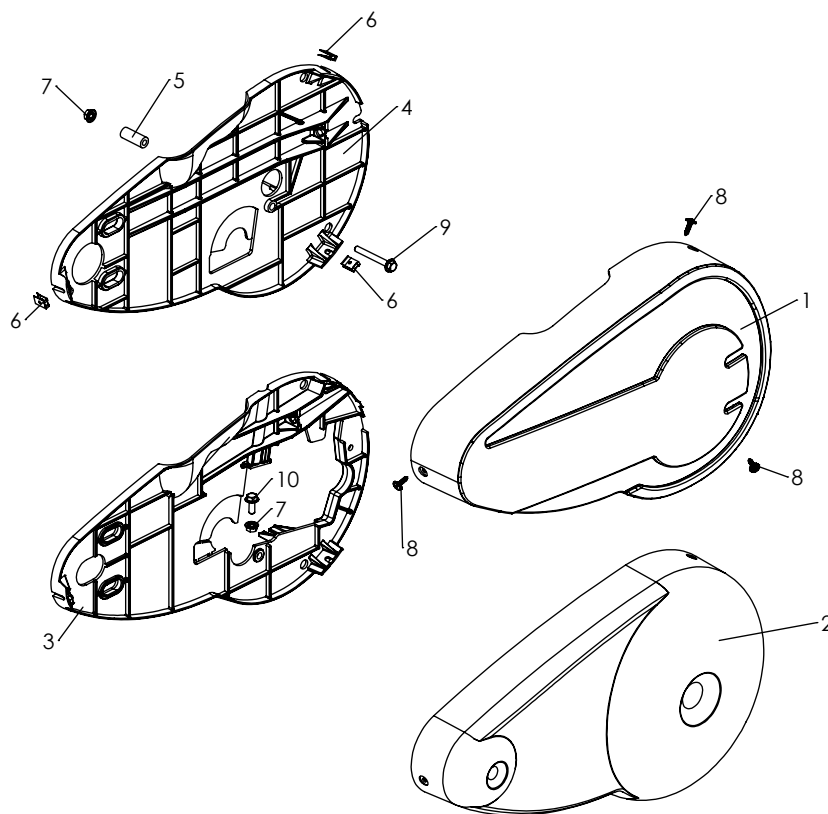
0301040001

0300010807 : 750SERIES / BS65 / Lc170 / R180 / R210
 0300060502 : GX120 / GX160 / GX200 / GC / GP160 / GP200 / 950SERIES / EP / GT400 / GT600 / SH265



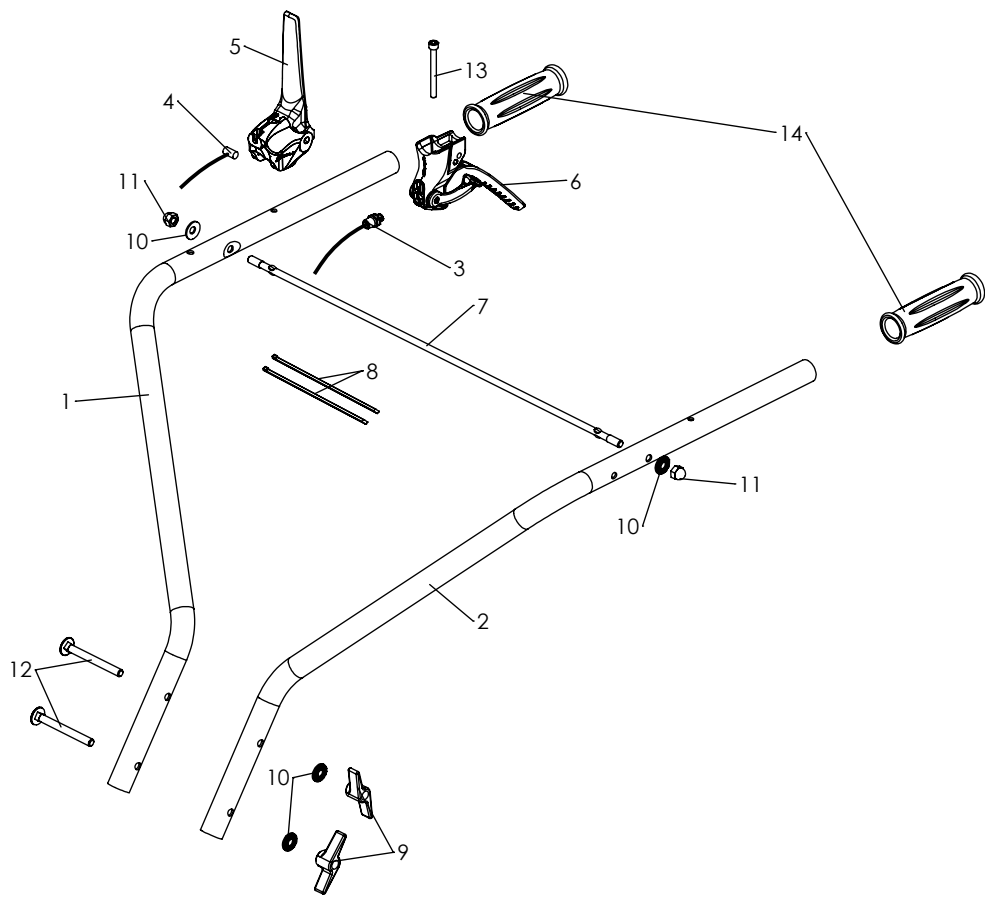
Seulement pour Marche Avant / Only for Forward running



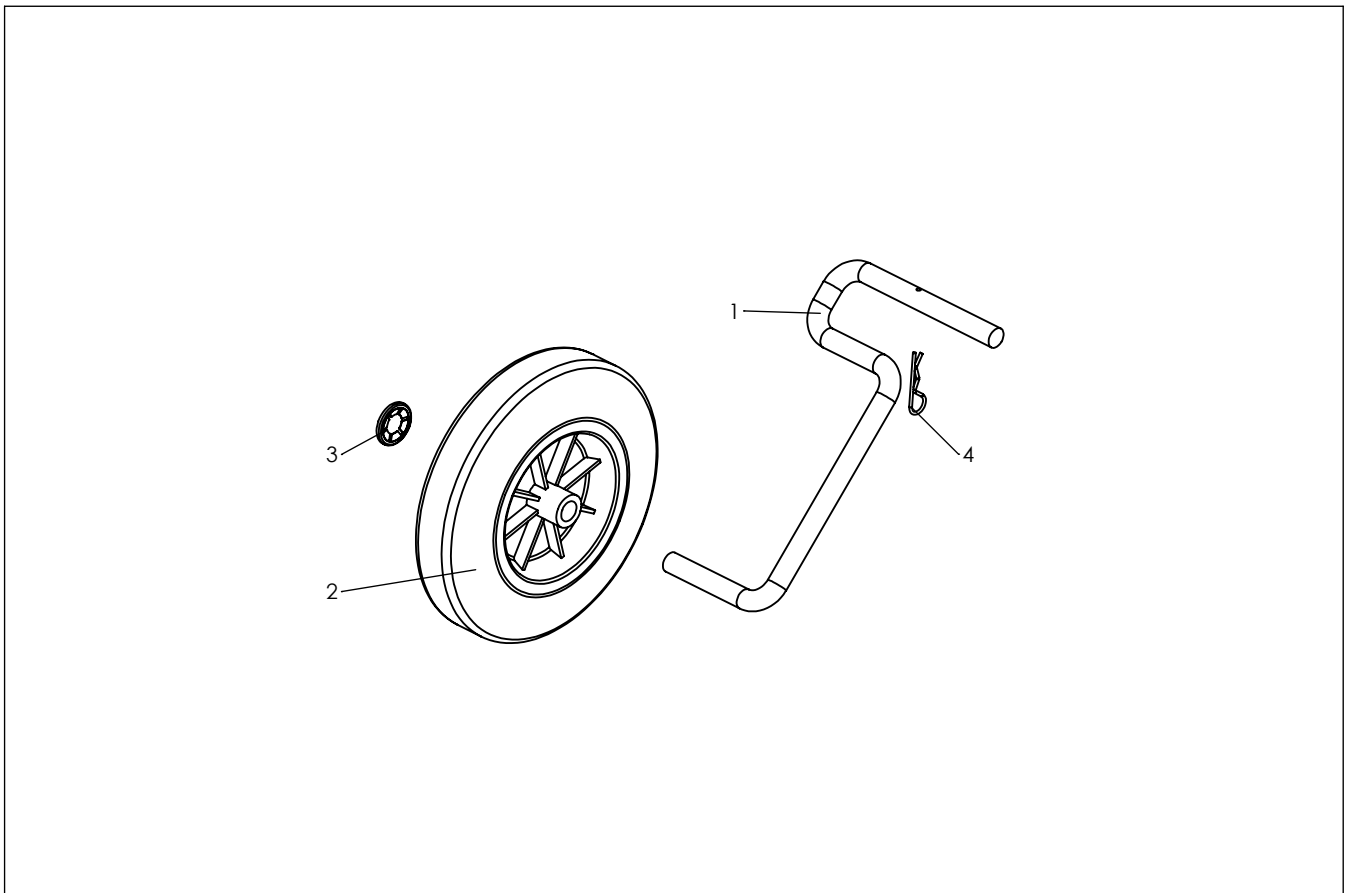
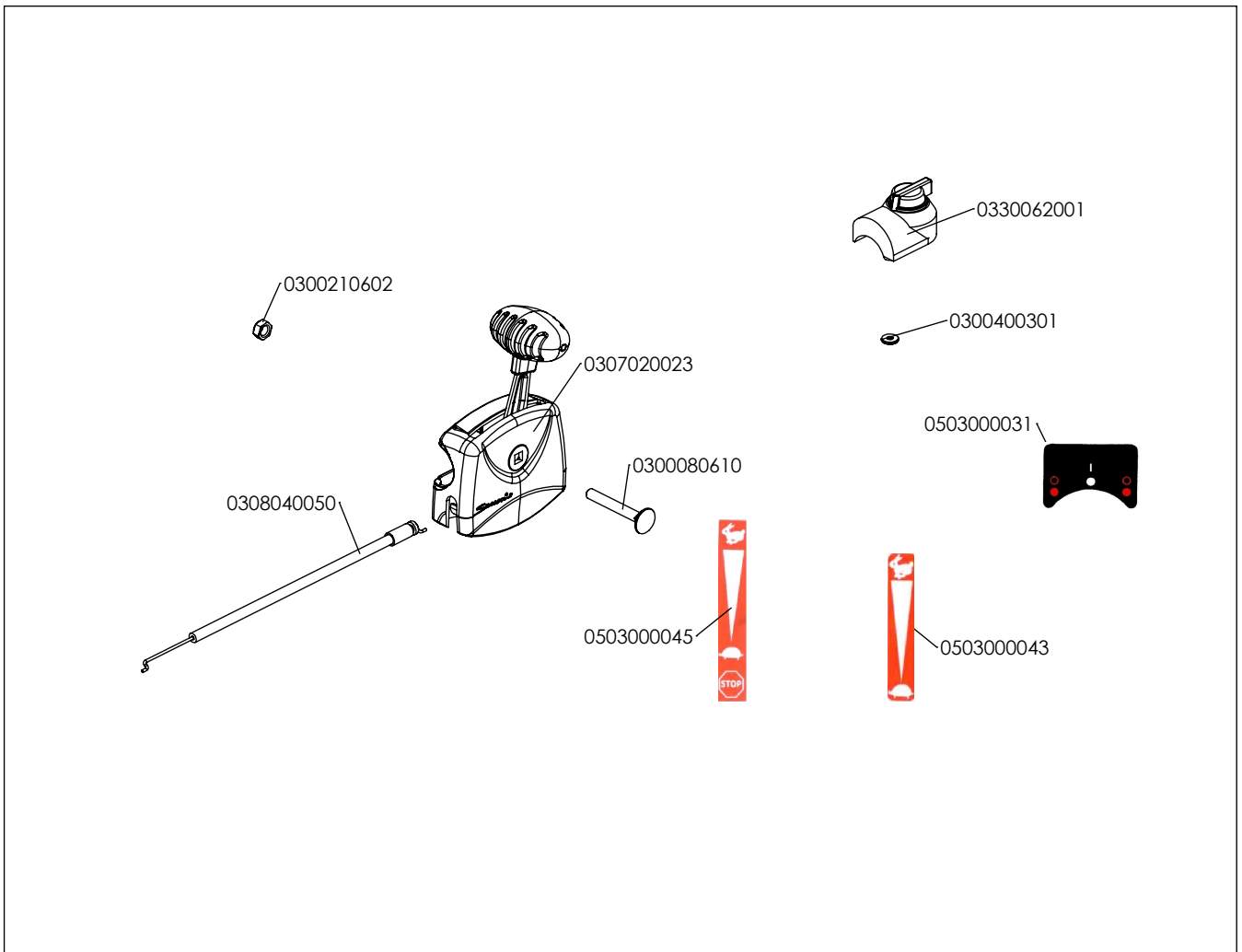


MAv=Marche Avant / Forward running
 MAr=Marche Arrière / Reverse running

Rep N°	Ref.	Désignation	Description	MAv Qté	MAr Qté
1	0340010213	CAPOT COURROIE ECO+99 BLEU RAL5002	BELT COVER BLUE RAL5002 COMPACT	1	1
1	0340010100	CAPOT COURROIE ECO+99 GRIS RAL7000	BELT COVER Grey RAL7000 COMPACT	1	1
1	0340010090	CAPOT COURROIE ECO+99 JAUNE P116x	Belt cover yellow P116	1	1
1	0340010073	CAPOT COURROIE ECO+99 ORANGE P1375C	BELT COVER ORANGE P1375c COMPACT	1	1
1	0340010072	CAPO COUR ECO+99 ROUGE RAL3020	BELT COVER RED RAL3020 COMPACT	1	1
1	0340010009	CAPOT COURROIE ECO+99 xVERT RAL6029x	BELT COVER GREEN RAL6029 COMPACT	1	1
1	0340010049	CAPOT COURROIE ECO+99 ORANGE P165x	Belt cover orange P165	1	1
1	0340010008	CAPOT COURROIE ECO+99 xROUGE RAL3001	BELT COVER RED RAL3001 COMPACT	1	1
1	0340010007	CAPOT COURROIE ECO+99 xORANGE RAL2009	BELT COVER ORANGE RAL2009	1	1
1	0340010006	CAPOT COURROIE ECO+99 xNOIRx	BELT COVER BLACK RAL9005 COMPACT	1	1
1	0340010006	CAPOT COURROIE ECO VERT RAL6009	ECO BELT COVER GREEN RAL6009	1	1
1	0340010005	CAPOT COURROIE ECO+99 xBLEU RAL5010	BELT COVER BLUE RAL5010 COMPACT	1	1
2	0340010071	CAPOT COURROIE MBR NOIR RAL9005	MBR BELT COVER BLACK RAL9005	1	1
2	0340010070	CAPOT COURROIE MBR ROUGE RAL3000	MBR BELT COVER RED RAL3000	1	1
3	0340010093	CACHE INT COMPACT EVO MAR	PLASTIC COVER PLATE COMPACT EVO (REVERSE)	-	1
4	0340010065	CACHE INT COMPACT xMAVx	PLASTIC COVER PLATE COMPACT	1	-
5	0302020090	ENTR 6.2x12x30 S300Pb Zn blanc	SPACER 6.2x12x30 Z	1	-
6	0301050001	CLIPS PRESTOLE Z/VIS 4.2 EP 4	CLIPS 4.2	3	3
7	0300260601	ECROU HM 6 ZEMB CR DIN 6923	NUT H M6 Z NOTCHED SHOULDER	1	1
8	0300080405	VIS TOLE TETE POELIER D11 POZI Cr 4.2X16 Z	SCREW POZI 4.2X16Z	3	3
9	0300010618	VIS H 6x50 Z EMB CR DIN 6921	SCREW HM 6X50 NOTCHED SHOULD	1	-
10	0300010609	VIS H 6x16 Z EMB CR DIN 6921	SCREW HM 6X16 Z NOTCHED SHOULD	-	1



Rep N°	Ref.	Désignation	Description	Qté
1	3002114009	GUIDON DROIT COMPACT x500mm GRIS RAL9006	RIGHT HANDELBAR x 500mm GREY RAL9006	1
1	3002112709	GUIDON DROIT COMPACT x500mm GRIS RAL7040	RIGHT HANDELBAR x500mm GREY RAL7040	1
1	3002110709	GUIDON DROIT COMPACT x500mm GRIS (8201)	RIGHT HANDELBAR x500mm GREY (8201)	1
1	3002110609	GUIDON DROIT COMPACT x500mm GRIS (627)	RIGHT HANDELBAR x500mm GREY (627)	1
1	3002110509	GUIDON DROIT COMPACT x500mm GRIS (8120)	RIGHT HANDELBAR x500mm GREY (8120)	1
1	3002110309	GUIDON DROIT COMPACT x500mm NOIR RAL9005	RIGHT HANDELBAR x500mm BLACK RAL9005	1
2	3002114008	GUIDON GAUCHE COMPACT x500mm GRIS RAL9006	LEFT HANDELBAR x500mm GREY RAL9006	1
2	3002112708	GUIDON GAUCHE COMPACT x500mm GRIS RAL7040	LEFT HANDELBAR x500mm GREY RAL7040	1
2	3002110708	GUIDON GAUCHE COMPACT x500mm GRIS (8201)	LEFT HANDELBAR x500mm GREY (8201)	1
2	3002110608	GUIDON GAUCHE COMPACT x500mm GRIS (627)	LEFT HANDELBAR x500mm GREY (627)	1
2	3002110508	GUIDON GAUCHE COMPACT x500mm GRIS (8120)	LEFT HANDELBAR x500mm GREY (8120)	1
2	3002110308	GUIDON GAUCHE COMPACT x500mm NOIR RAL9005	LEFT HANDELBAR x500mm BLACK RAL9005	1
3	0308020052	CABLE EMB Lg 1050 CF 133 LAKS EMB CLIP	CLUTCH CABLE LG1050 CF133 LAKS LEVER x CLIP TIP	1
4	0308010019	CABLE INVERSEUR EVO MANETTE LASC C25	Gear cable	1
5	0307010078	MANETTE FREIN LASI C25 VIS M6 TAMPO MARCHE ARRIERE	REVERSE SPEED LEVER	1
6	0307010030	LEVIER EMB LAKS C27 ECROU M6 TEMPO EMBRAYAGE	HANDLEVER LAKS C27 NUT M6 CLUTCHING SYMBOL	1
7	0302010097	BARRE GUIDON COMPACT FILETEE ENTRAXE 500MM	HANDELBAR TIE GAP 500MM	1
8	0301060003	COLLIER POLYAM.3.6 X 140 NOIR	COLLAR	4
9	0300800004	POIGNEE SERR HELICO 68M8F10 NOIR M8 PA6.6	Black handlebar tightening lever	2
10	0300430801	RONDELLE CONTACT M8 NF E 25511	CONTACT WASHER 8	4
11	0300210803	ECROU FREIN BORGNE M 8 Z DIN 986	Cap blocking nut M8z	2
12	0300080802	VIS TRCC 8 X 80/20 Z DIN603	Screw TRCC M8x80 z DIN 603 cl 4,6	2
13	0300020609	VIS CHC 6 X 60 Z CL8.8 DIN912	SCREW CHC M6X60 DIN912	1
14	0341000036	POIGNEE PLASTI DIAM 25	Hand side grip Ø25	2



Rep N°	Ref.	Désignation	Description	Qté
1	3002000107	SUPPORT ROUE FIL DIA 14 ZNCR3	TRANSPORT WHEEL SUPPORT WIRE D14 ZNCR3	1
2	0309000030	ROUE 200 ALES 14 MOY 60 NOIR	BLACK WHELL D200 BORE 14 LG.60	1
3	0300461401	RONDELLE STARLOCK DIA 14	STARLOCK WASHER DIA 14	1
4	0301030001	GOUPILLE BETA 2 Z x 50	CLIP PIN BETA 2 Z	1

