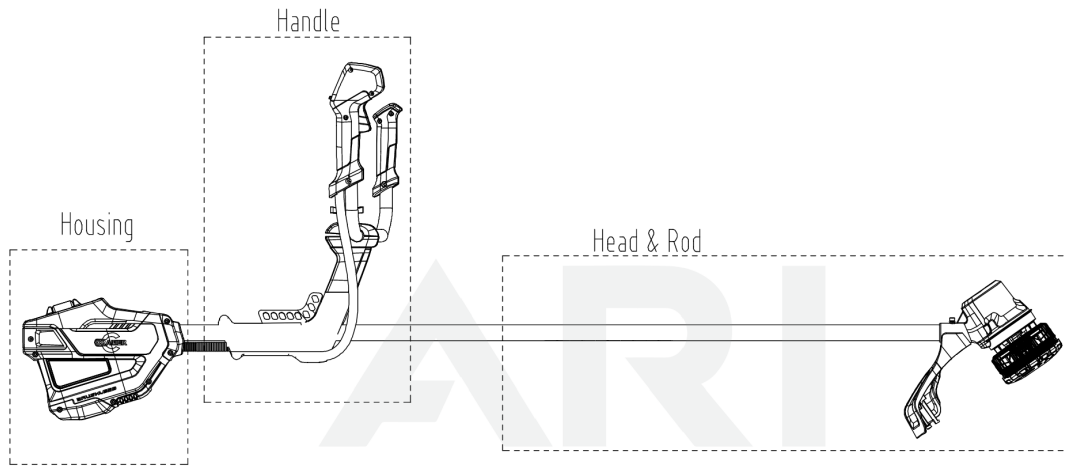


82V Brush Cutter 82TB20 2101686

# TABLE OF CONTENTS

01 Overview .....	3
02 Housing .....	5
03 Handle .....	7
04 Rod .....	9
05 Backpack .....	11

## 01 Overview



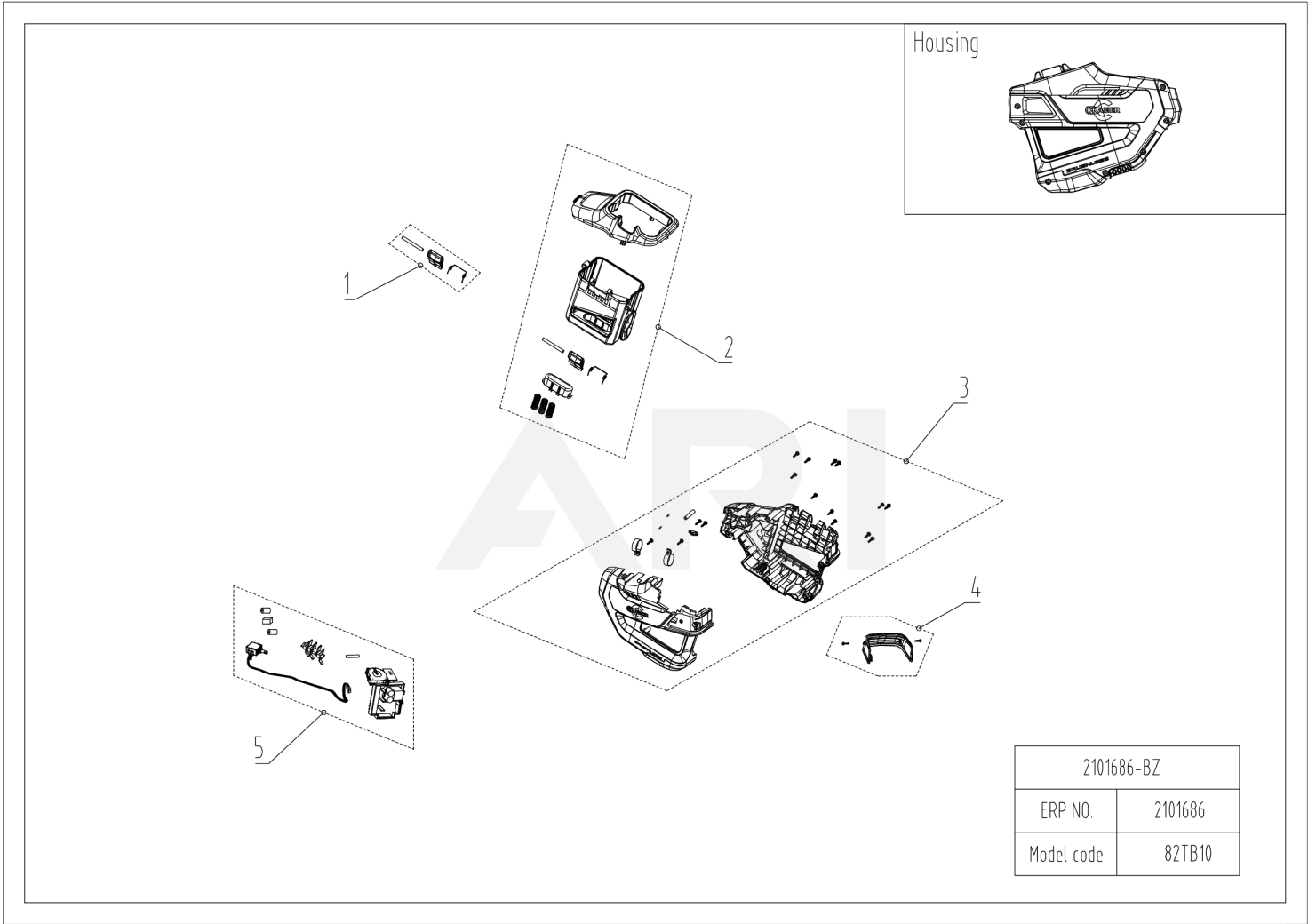
2101686-BZ	
ERP NO.	2101686
Model code	82TB10

Rendered by ARI Network Services, Inc.

01 Overview

<b>Ref Number</b>	<b>Part Number</b>	<b>Part Description</b>	<b>Context Notes</b>	<b>Quantity</b>
-------------------	--------------------	-------------------------	----------------------	-----------------

## 02 Housing

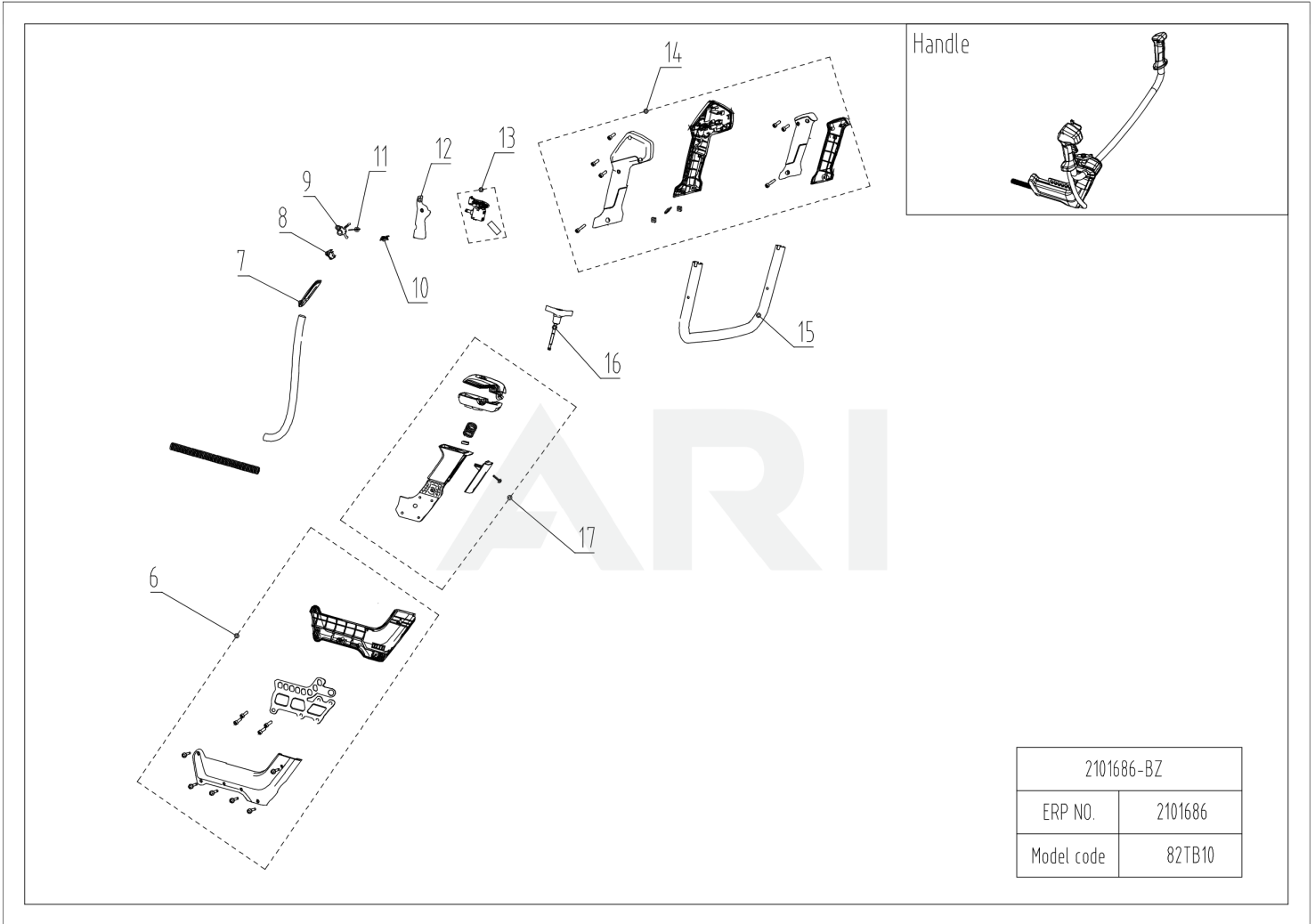


Rendered by ARI Network Services, Inc.

## 02 Housing

<b>Ref Number</b>	<b>Part Number</b>	<b>Part Description</b>	<b>Context Notes</b>	<b>Quantity</b>
1	R0102071-00	Release button assembly	Set	1
2	R0102153-00	Battery Box Assembly	Set	1
3	R0102227-00	Rear Housing Assembly	Set	1
4	R0102154-00	Decorative Cover assembly	Set	1
5	R0102228-00	PCBA	SET	1

### 03 Handle



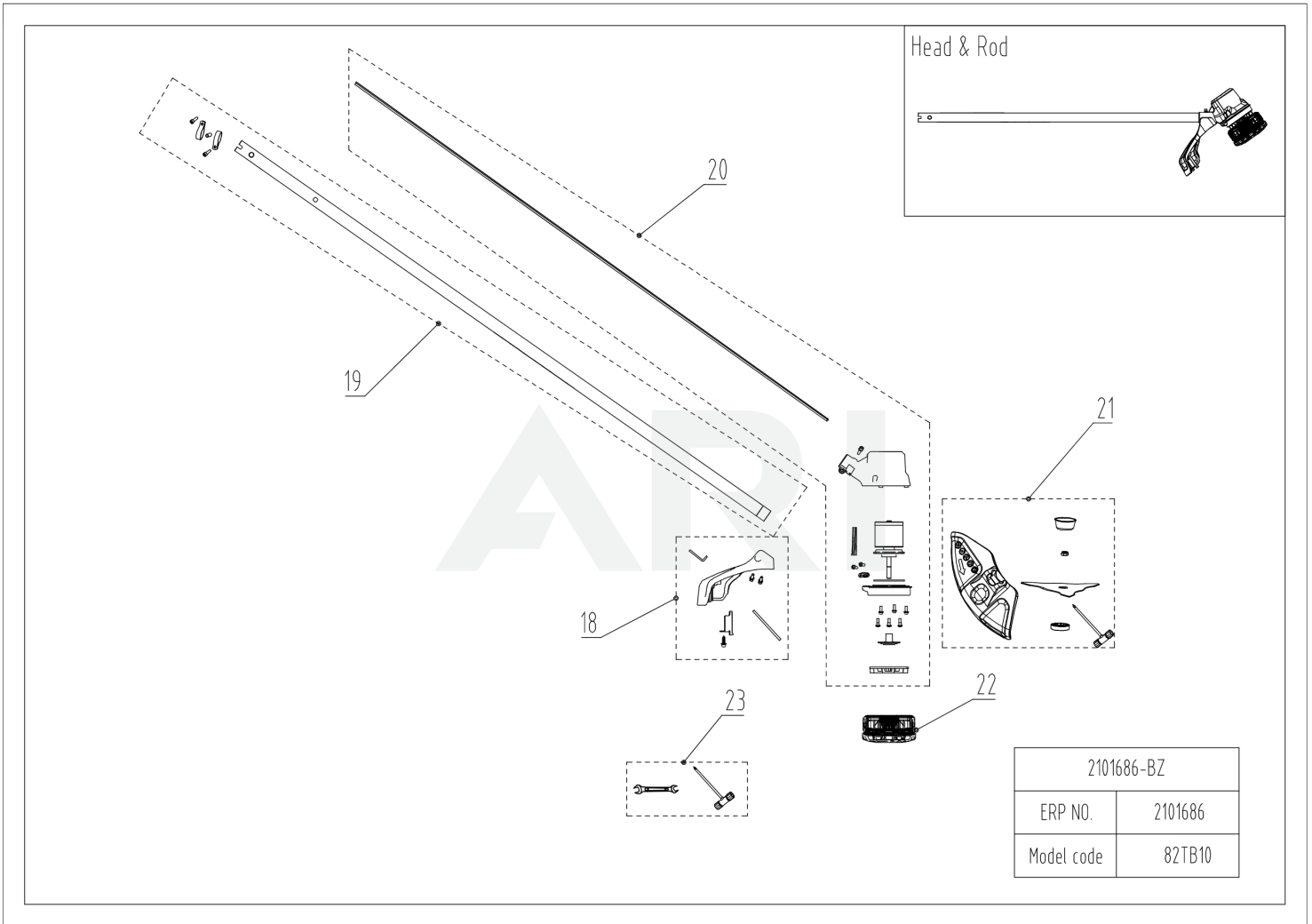
Rendered by ARI Network Services, Inc.

## 03 Handle

<b>Ref Number</b>	<b>Part Number</b>	<b>Part Description</b>	<b>Context Notes</b>	<b>Quantity</b>
6	R0102229-00	Strap clamp assembly	SET	1
7	R0102230-00	Film panel	SET	1
8	RA363022461A	Micro switch	SET	1
9	RA341092462	Toggle button	SET	1
10	R0102232-00	PCBA ( String Trimmer)	SET	1
11	RA333072461	Reset spring	SET	1
12	RA341082462	Switch trigger	SET	1
13	RA363011807C	Speed switch assembly NEW (2018/12)	SET	1
14	R0102233-00	Horn handle assembly	SET	1
15	R0102234-00	Ox horn tube	SET	1
16	RA341212461	Knob	SET	1
17	RA331012462A	Cattle pyramidal assembly NEW (2018/12)	SET	1



### 04 Rod

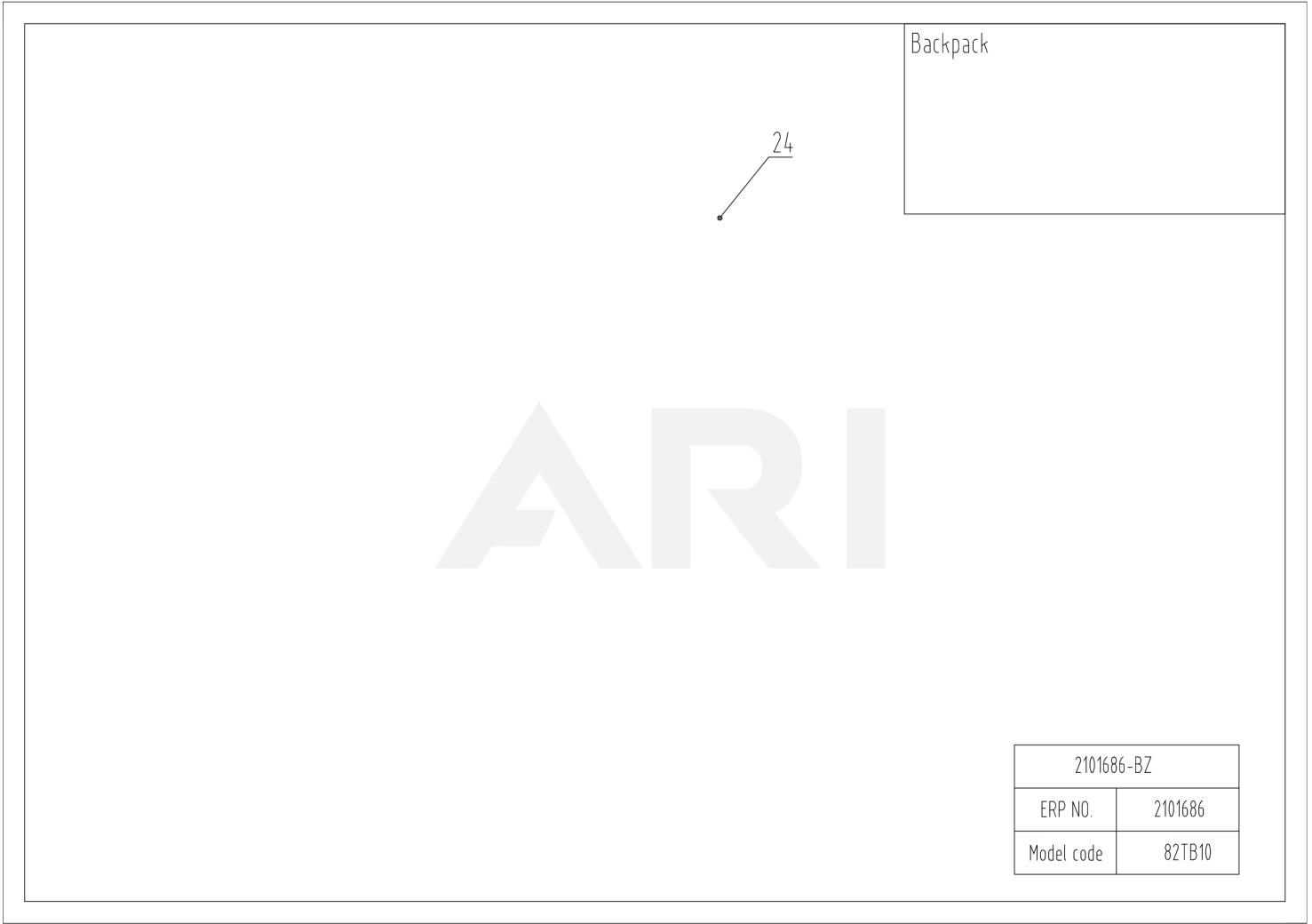


Rendered by ARI Network Services, Inc.

## 04 Rod

<b>Ref Number</b>	<b>Part Number</b>	<b>Part Description</b>	<b>Context Notes</b>	<b>Quantity</b>
18	R0102236-00	Guard assembly	SET	1
19	R0102238-00	Rod assembly	SET	1
20	R0102239-00	Motor assembly	SET	1
21	R0102171-00	Cutting Blade Assembly	SET	1
22	R0102162-00	String Head Assembly	SET	1
23	R0102241-00	Allen wrench	SET	1

### 05 Backpack



Rendered by ARI Network Services, Inc.

05 Backpack

<b>Ref Number</b>	<b>Part Number</b>	<b>Part Description</b>	<b>Context Notes</b>	<b>Quantity</b>
-------------------	--------------------	-------------------------	----------------------	-----------------