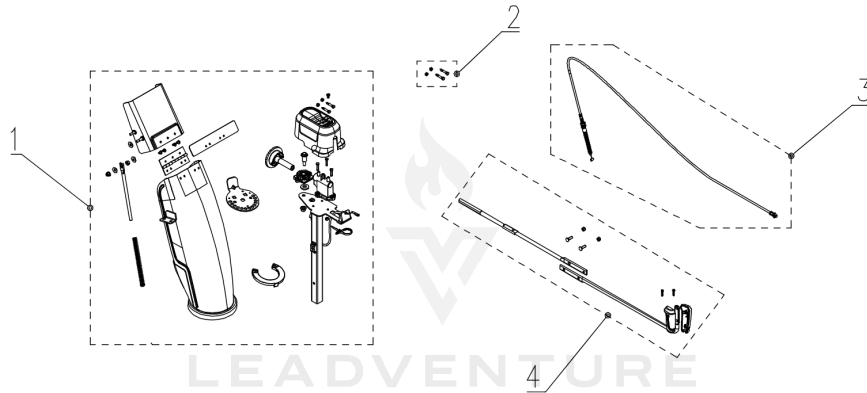
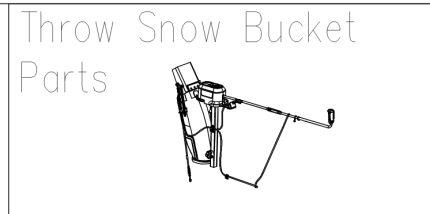


82V Snow Thrower 82SN61 2600186

TABLE OF CONTENTS

2600186-Exploded view-Throw Snow Bucket	3
2600186-Exploded view-Handle and controls parts	5
2600186-Exploded view-Driving parts	7
2600186-Exploded view-Auger parts	9

2600186-Exploded view-Throw Snow Bucket



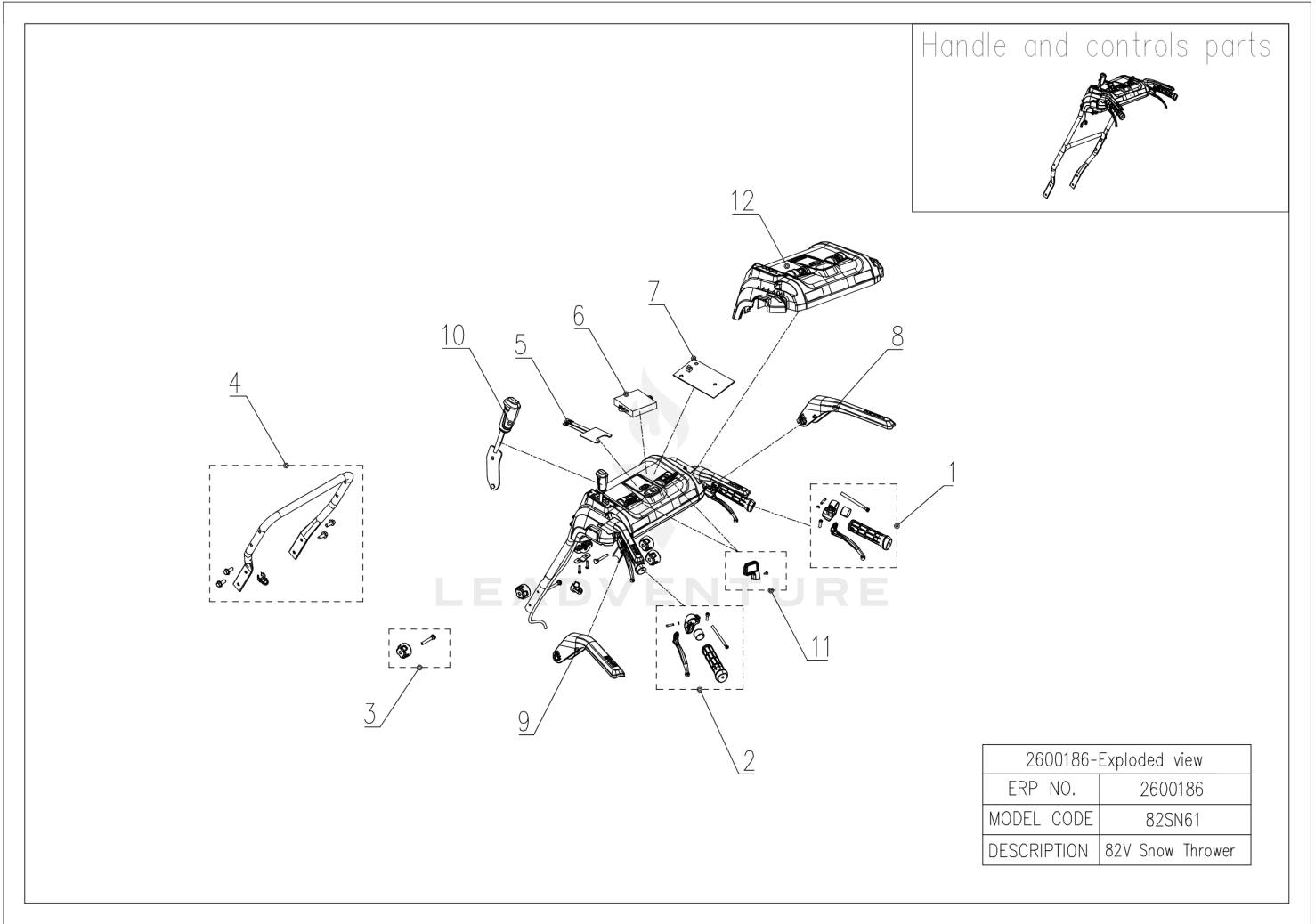
2600186-Exploded view	
ERP NO.	2600186
MODEL CODE	82SN61
DESCRIPTION	82V Snow Thrower

Rendered by LeadVenture, Inc.

2600186-Exploded view-Throw Snow Bucket

Ref Number	Part Number	Part Description	Context Notes	Quantity
1	R0204448-00	Snow Chute Assembly		
2	R0204396-00	Safety Pin		
3	R0204400-00	Steel Wire Pin		
4	R0206198-00	Chute Adjustment Handle Assembly		

2600186-Exploded view-Handle and controls parts

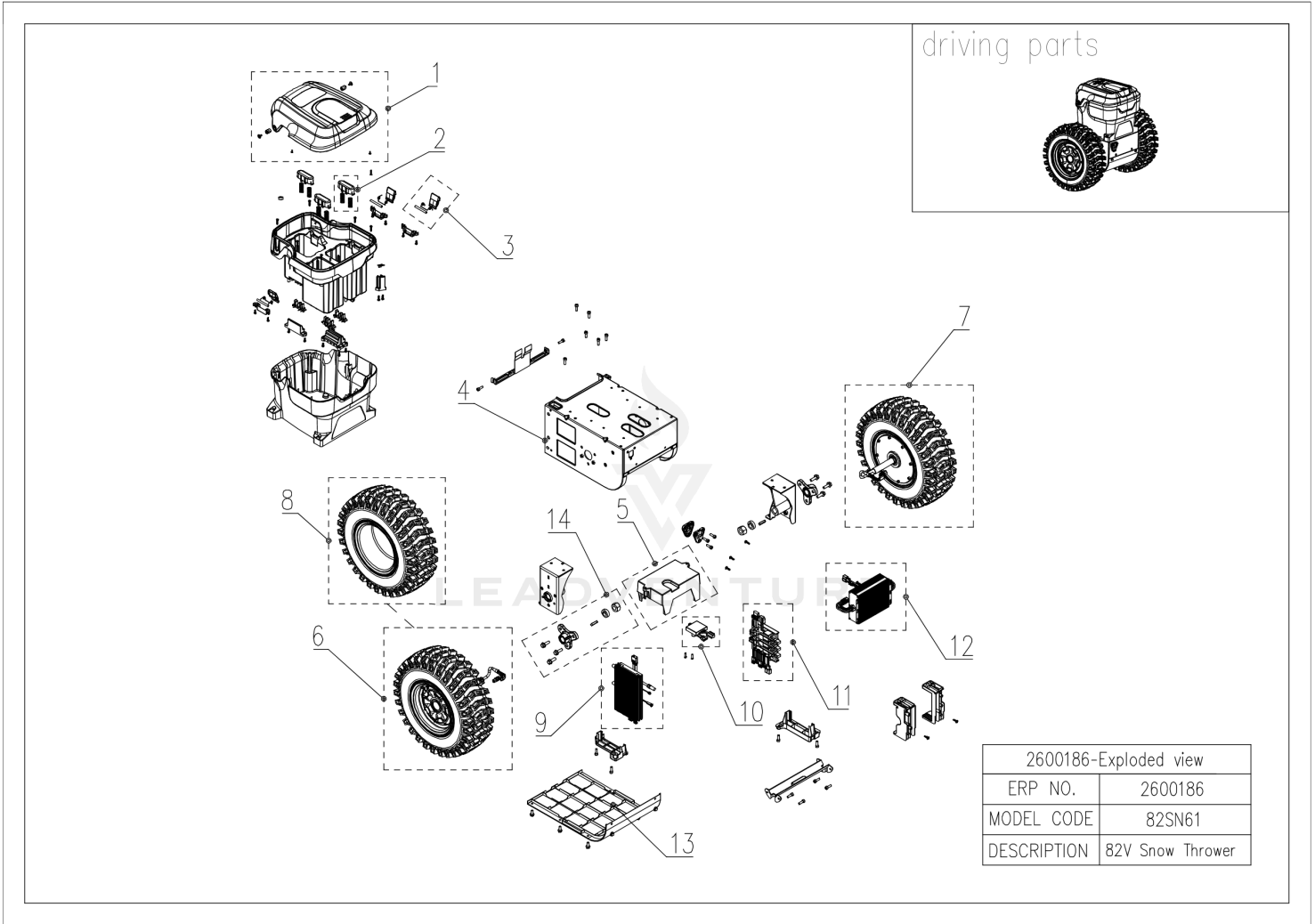


Rendered by LeadVenture, Inc.

2600186-Exploded view-Handle and controls parts

Ref Number	Part Number	Part Description	Context Notes	Quantity
1	R0204417-00	Right Steering Handle/Holder Assembly		
2	R0204416-00	Left Steering Handle/Holder Assembly		
3	R0102702-00	Konb Bolt		
4	R0103541-00	Lower Push Handle Assembly		
5	R0206196-00	PCBA (Snow Thrower)		
6	R0102922-00	PCBA (Snow Thrower)		
7	R0103580-00	PCBA (Snow Thrower)		
8	R0103677-00	Right Handle		
9	R0103678-00	Left Handle		
10	R0103672-00	Height Adjustment Connecting Rod Assembly		
11	R0103673-00	Toggle		
12	R0103674-00	Upper Panel Assembly		

2600186-Exploded view-Driving parts

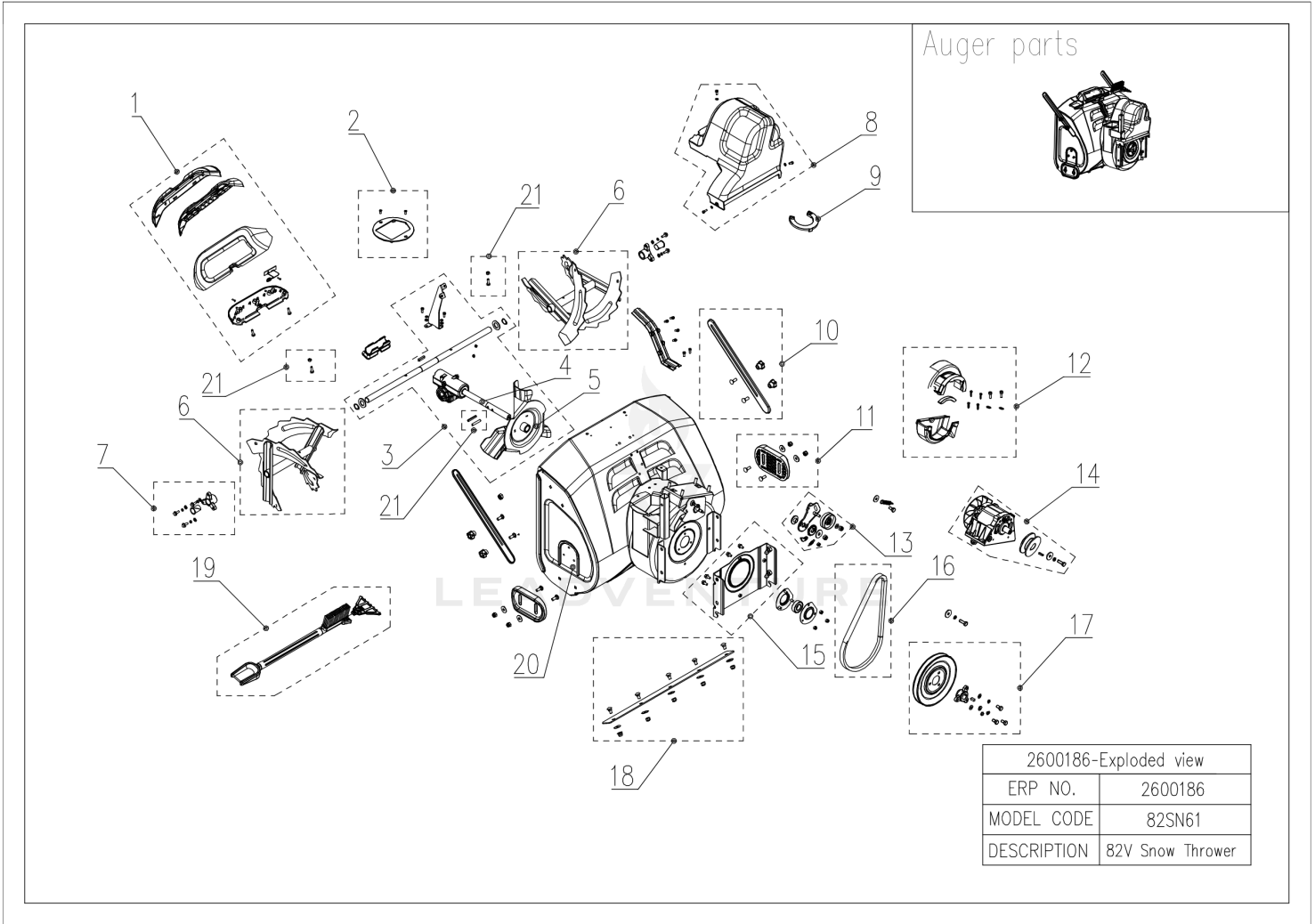


Rendered by LeadVenture, Inc.

2600186-Exploded view-Driving parts

Ref Number	Part Number	Part Description	Context Notes	Quantity
1	R0103538-00	Battery Pack Flap Assembly		
2	R0204405-00	Reset Spring		
3	R0203463-00	Release Button Assembly		
4	R0102844-00	Cabinet Assembly		
5	R0204420-00	PCB Base		
6	R0103542-00	Left Wheel Hub Motor Assembly		
7	R0103543-00	Right Wheel Hub Motor Assembly		
8	R0206553-00	Tyre		
9	R0204549-00	PCBA (Snow Thrower)		
10	R0102924-00	PCBA (Snow Thrower)		
11	R0204548-00	PCBA (Snow Thrower)		
12	R0103547-00	PCBA□Snow thrower)		
13	R0103682-00	Baseplate		
14	R0103676-00	Rear Wheel Axle Fixed Seat Assembly		

2600186-Exploded view-Auger parts



Rendered by LeadVenture, Inc.

2600186-Exploded view-Auger parts

Ref Number	Part Number	Part Description	Context Notes	Quantity
1	R0204403-00	Front Lamp Assembly		1
2	R0103675-00	Turntable Of Throw Snow Bucket		1
3	R0102845-00	Worm Wheels Box and Throwing Snow Knife Assembly		1
4	R0103679-00	Worm Wheels Box Assembly		1
5	R0103680-00	Throwing Scraper		2
6	R0103537-00	Auger Assembly		2
7	R0102823-00	Hob Shaft Mounting Seat		1
8	R0204402-00	Belt Cover		1
9	R0204401-00	Hole Cover		1
10	R0204399-00	Drift Cutter Kit		2
11	R0203400-00	Skid Shoes Kit		2
12	R0204422-00	Volute Housing Assembly		1
13	R0102842-00	Tension Pulley Assembly		1
14	R0204647-00	Motor Assembly		1
15	R0102820-00	Housing Connecting Plate Assembly		1
16	R0204397-00	Belt		1
17	R0102843-00	Belt Wheels Assembly		1
18	R0203404-00	Scraper Bar kit		1
19	R0103539-00	Snow Shovel		1

Ref Number	Part Number	Part Description	Context Notes	Quantity
20	R0103681-00	Front Chassis Assembly		1
21	R0204396-00	Safety Pin		1